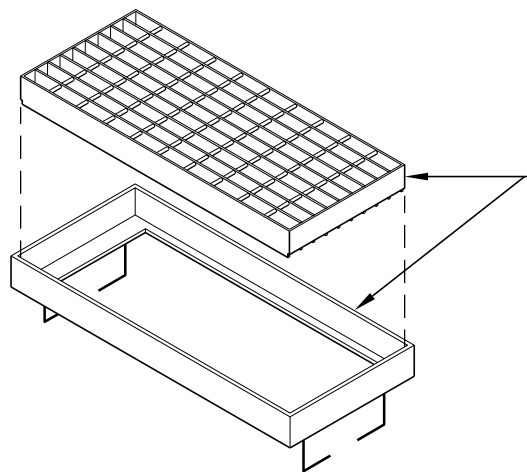


MEETS REQUIREMENTS FOR:
**STANDARD DETAILS
FOR PUBLIC WORKS
CONSTRUCTION**

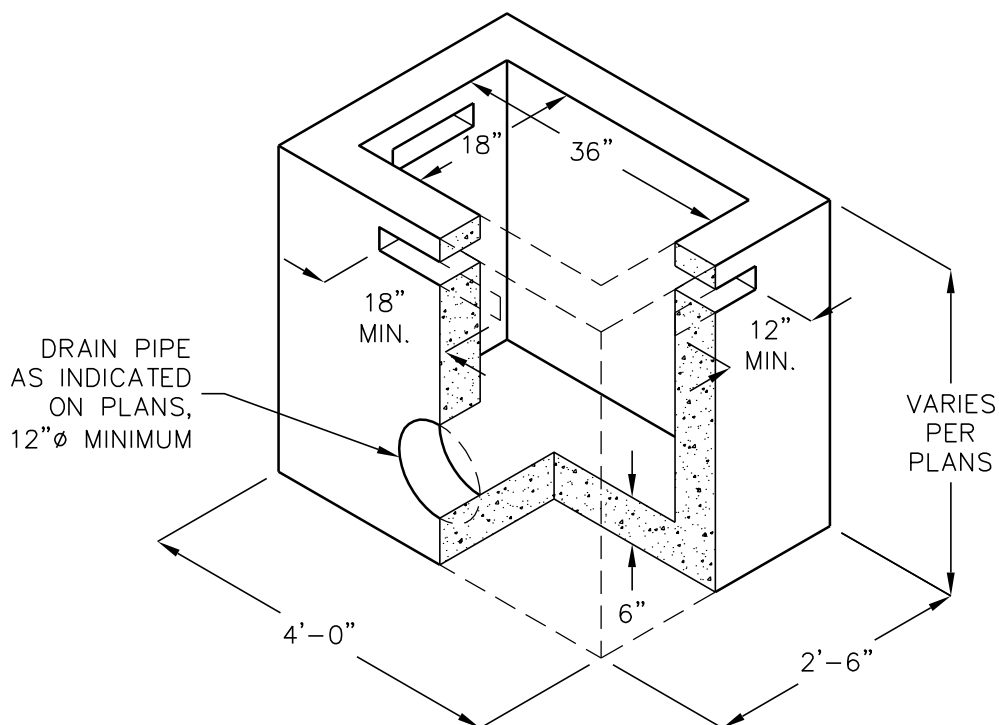
**CITY OF SACRAMENTO
DITCH BOX**

DITCH BOX

18" x 36" CURB INLET
FABRICATED FRAME & GRATE



TYPE "B" FABRICATED
FRAME AND GRATE
APPROX. WEIGHT: 170 LBS.



BOX DESIGN LOAD:
H-20 FULL TRAFFIC

FOR COMPLETE DESIGN
AND PRODUCT INFORMATION,
CONTACT JENSEN PRECAST.