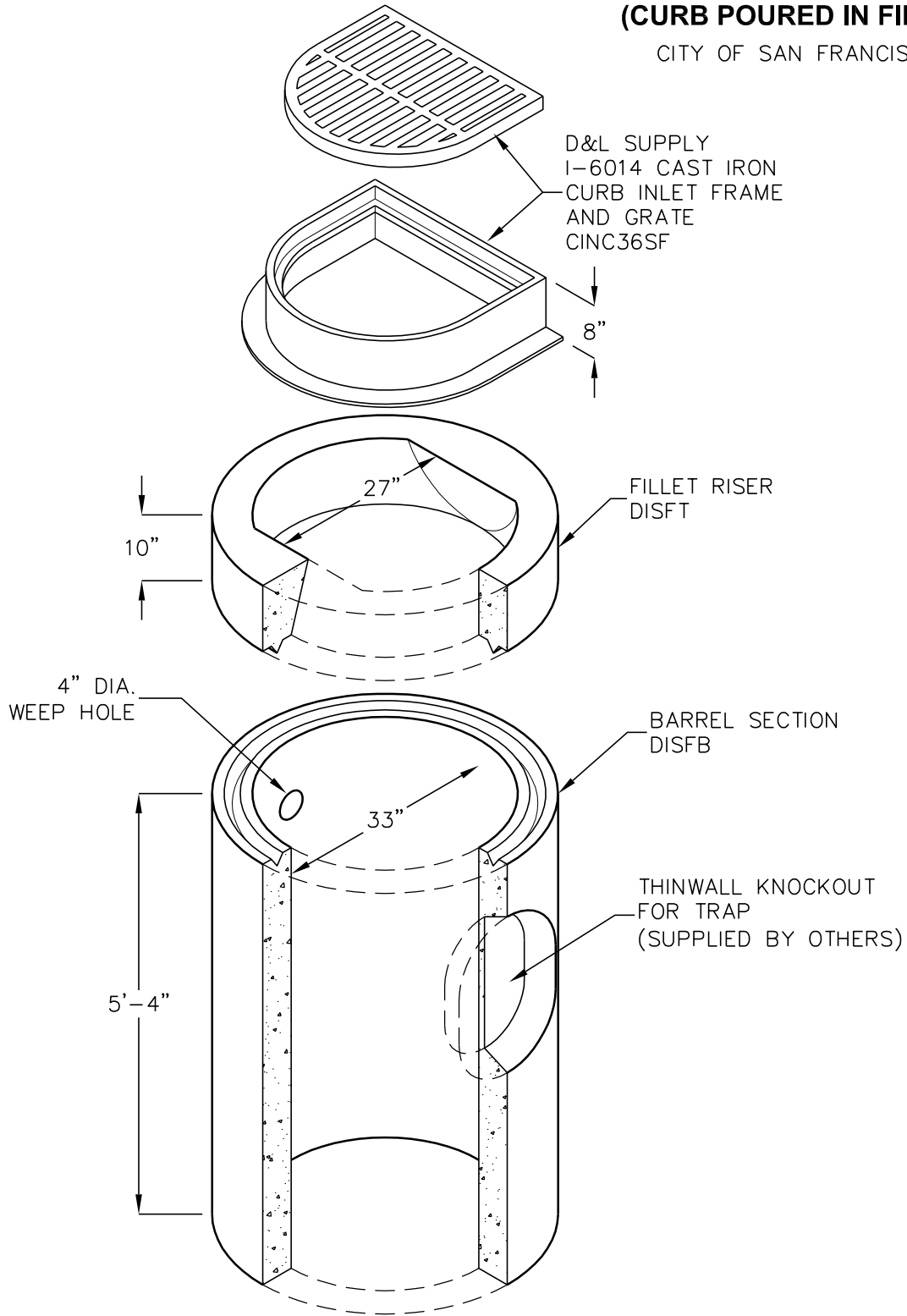


CURB INLET

33" I.D. WITH 5" WALLS
(CURB POURED IN FIELD)

CITY OF SAN FRANCISCO



FOR COMPLETE DESIGN AND PRODUCT INFORMATION CONTACT JENSEN PRECAST.