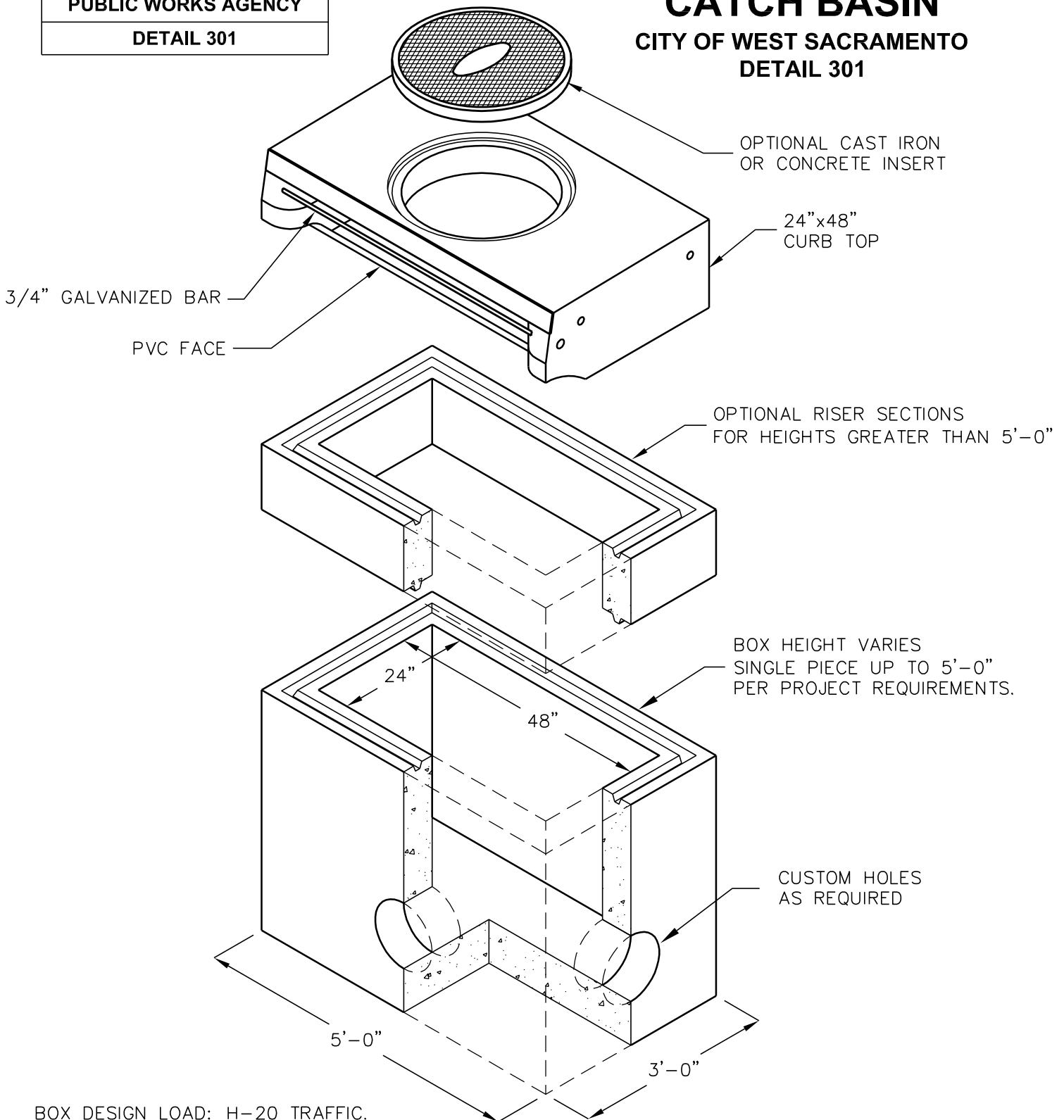


MEETS REQUIREMENTS FOR:
CITY OF WEST SACRAMENTO
PUBLIC WORKS AGENCY

DETAIL 301

CURB INLET AND CATCH BASIN

CITY OF WEST SACRAMENTO
DETAIL 301



BOX DESIGN LOAD: H-20 TRAFFIC.

FOR COMPLETE DESIGN AND PRODUCT INFORMATION
CONTACT JENSEN PRECAST.