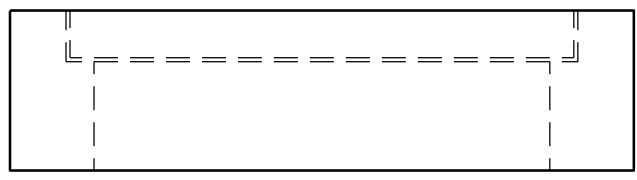
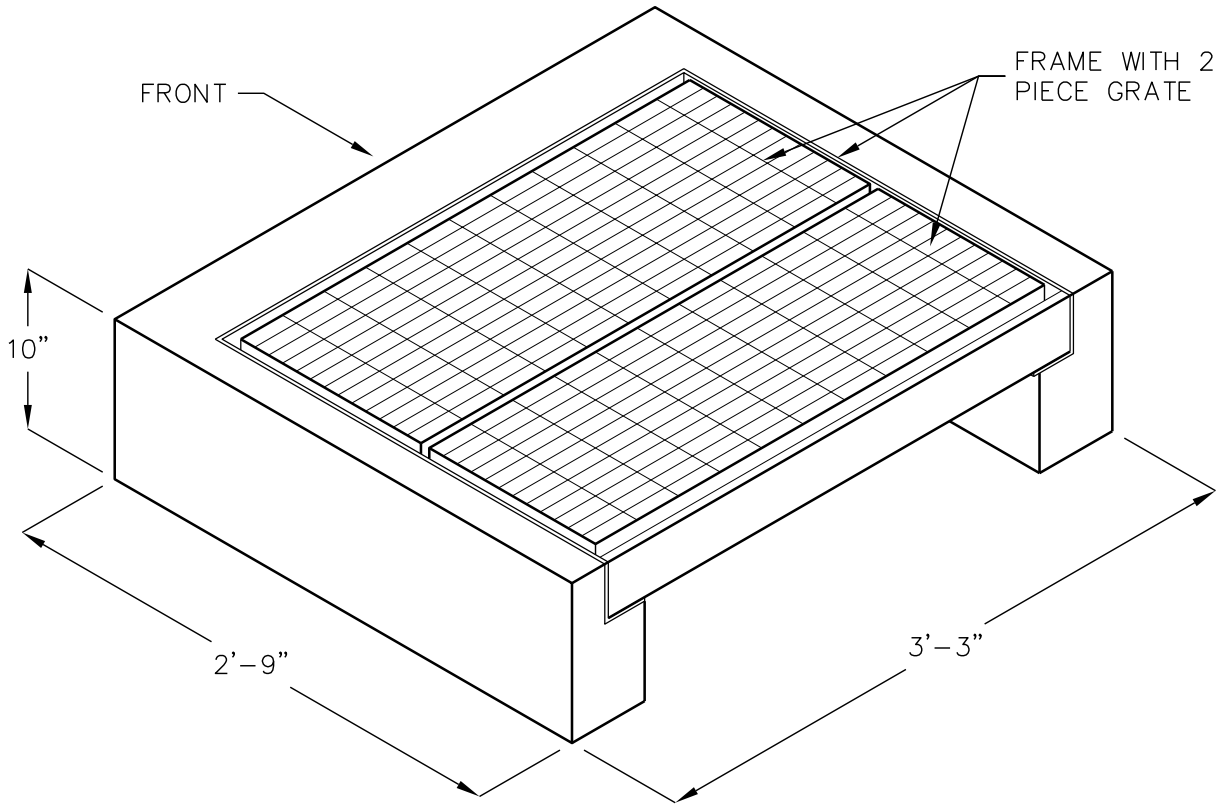
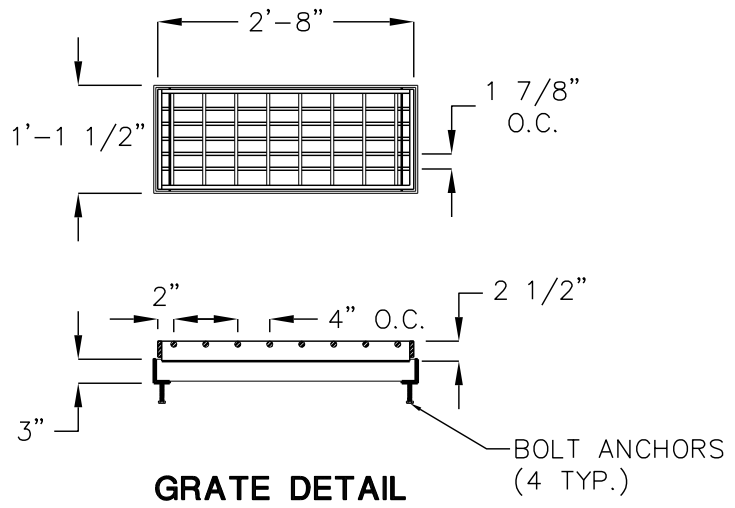


TYPE CG-2

CONCRETE INLET TOP
MEETS ODOT SPECS.



FRONT VIEW

FOR COMPLETE DESIGN
AND PRODUCT INFORMATION
CONTACT JENSEN PRECAST.