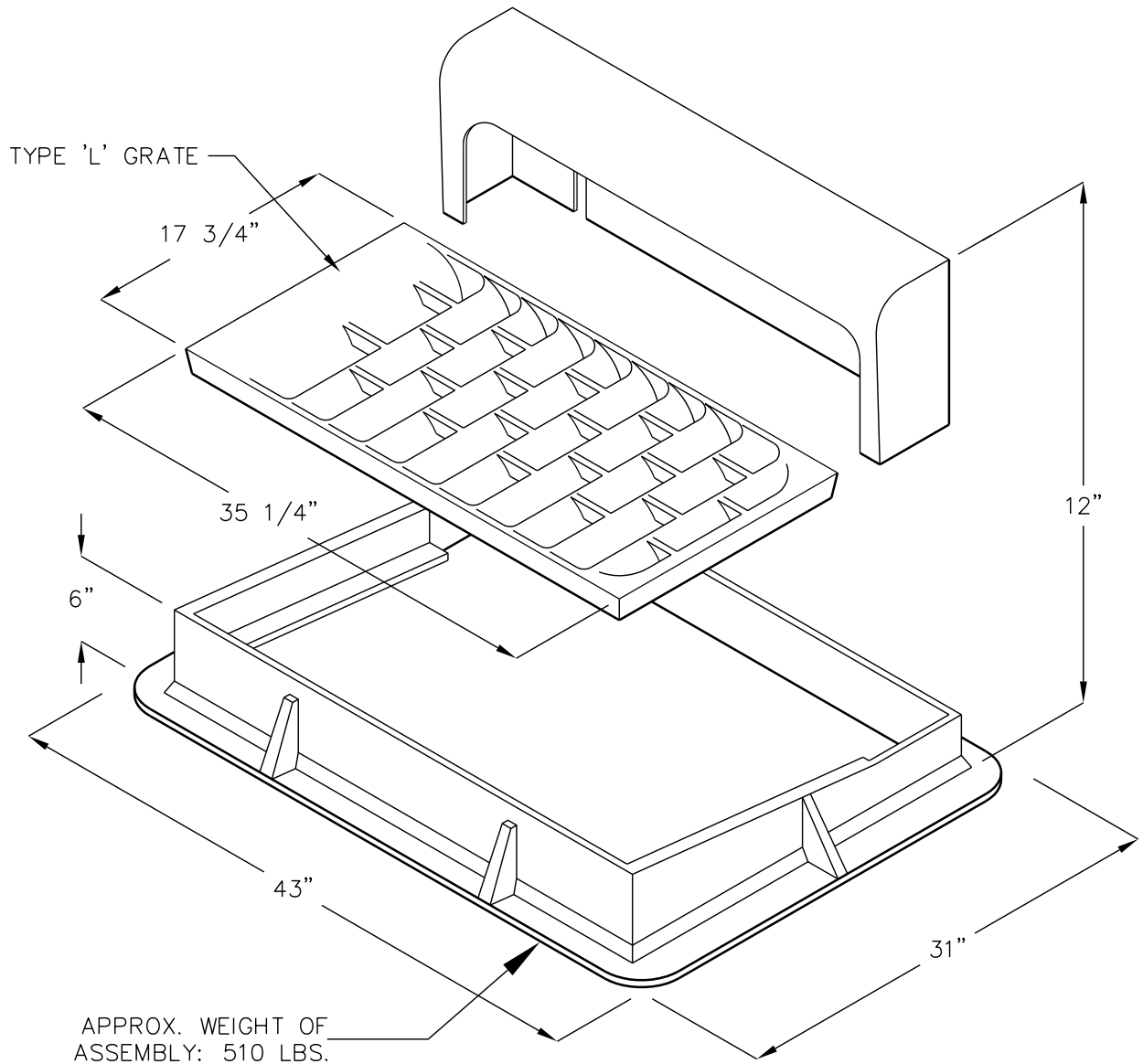


# I3519

## 24" X 36" CURB INLET CAST IRON HOOD, FRAME AND GRATE



HEAVY DUTY — PROOF LOAD —  
EXCEEDS 16,000 LBS.

FOR COMPLETE DESIGN  
AND PRODUCT INFORMATION  
CONTACT JENSEN PRECAST.