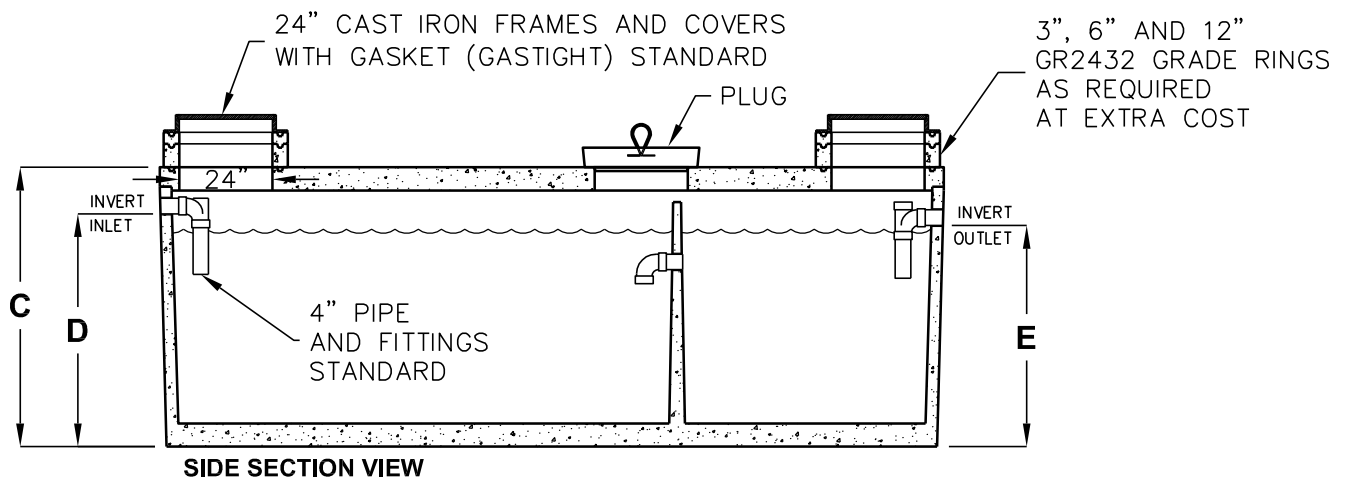
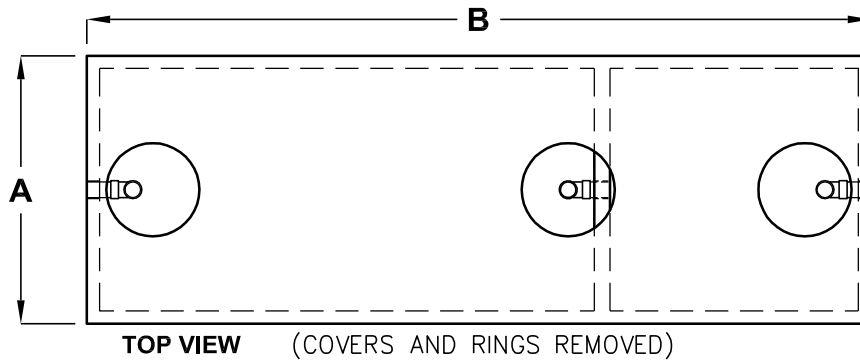


750-5000 GALLON COMMERCIAL SEPTIC TANKS



MODEL NUMBER	LIQUID CAPACITY (GALLONS)	DIM A	DIM B	DIM C	DIM D	DIM E	MINIMUM EXCAVATION WIDTH	MINIMUM EXCAVATION LENGTH	DEPTH OF BURY
JP750EE-ST	750	4'-3"	8'-1"	6'-3"	5'-0"	4'-9"	5'-3"	9'-1"	1' TO 6'
JP1000EE-ST	1000	5'-4"	8'-2"	6'-3"	5'-0"	4'-9"	6'-4"	9'-2"	1' TO 6'
JP1200EE-ST	1200	6'-0"	8'-6"	6'-6"	5'-0"	4'-9"	7'-0"	9'-6"	1' TO 6'
JP1500EE-ST	1500	5'-10"	10'-8"	6'-3"	5'-0"	4'-9"	6'-10"	11'-8"	1' TO 6'
JP2000EE-ST	2000	4'-11"	15'-11"	6'-0"	5'-0"	4'-9"	5'-11"	16'-11"	1' TO 6'
JZ2500EE-ST	2500	5'-9"	16'-10"	6'-0"	5'-0"	4'-9"	6'-9"	17'-10"	1' TO 5'
JZ3000EE-ST	3000	5'-9"	16'-10"	6'-9"	5'-9"	5'-6"	6'-9"	17'-10"	1' TO 5'
JZ4000EE-ST	4000	7'-8"	16'-7"	6'-9"	5'-6"	5'-3"	8'-8"	17'-7"	1' TO 5'
JZ5000EE-ST	5000	7'-8"	16'-7"	7'-11"	6'-9"	6'-6"	8'-8"	17'-7"	1' TO 4'

DESIGN LOAD: H-20 TRAFFIC WITH DRY SOIL CONDITIONS (WATER LEVEL BELOW TANK.)

BEDDING NOTE: SUITABLE SUB-BASE BEDDED WITH GRANULAR MATERIAL SHALL BE PREPARED TO HANDLE ANTICIPATED LOADS.

FOR COMPLETE DESIGN AND PRODUCT INFORMATION
CONTACT JENSEN PRECAST.

2/1/08
JP750-JZ5000_SEPTIC_NOCAL_A.dwg
© 2008 Jensen Precast

Jensen Precast reserves the right to make changes to product design and/or dimensions without notice. Please contact Jensen Precast whenever necessary for confirmation or advice on product design.

JENSEN
PRECAST