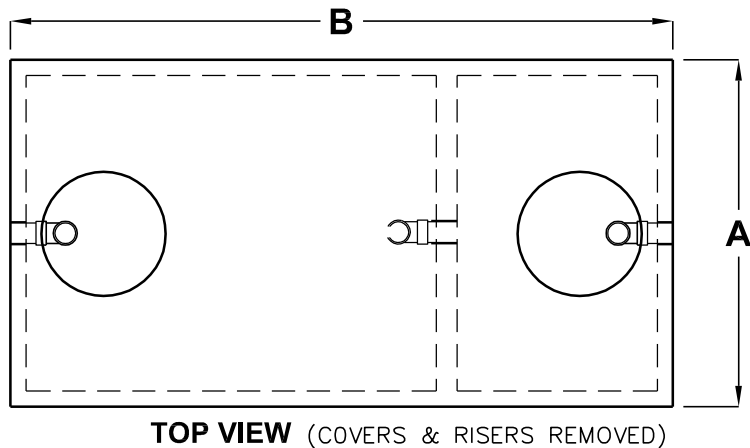
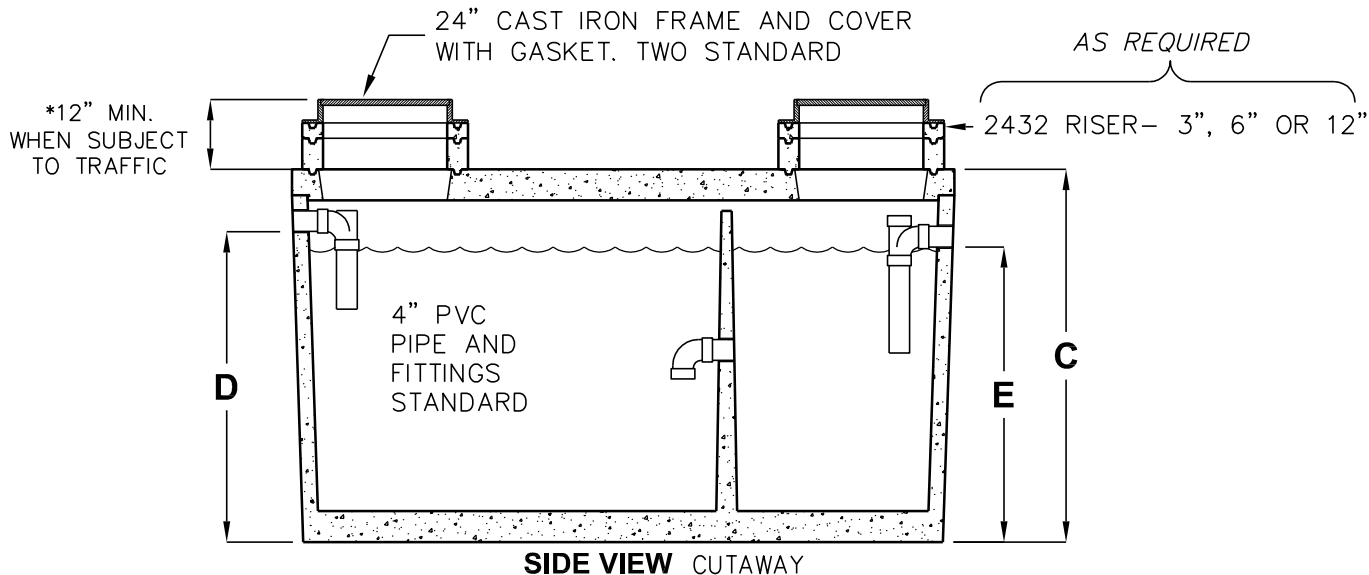


JP750 - JP1500 GALLON COMMERCIAL SEPTIC TANKS

TRAFFIC RATED - ACCEPTED BY UPC®



MODEL NUMBER	LIQUID CAPACITY GALLONS	WIDTH 'A'	OVERALL LENGTH 'B'	TANK HEIGHT 'C'	INLET 'D'	OUTLET 'E'	MINIMUM EXCAVATION WIDTH	MINIMUM EXCAVATION LENGTH	* DEPTH OF BURY	TANK WEIGHT LBS.
JP750	750	4'-0"	8'-1"	6'-0"	5'-0"	4'-9"	5'-0"	9'-1"	6' MAX.	9,000
JP1000	1000	5'-1"	8'-2"	6'-0"	5'-0"	4'-9"	6'-1"	9'-2"	6' MAX.	11,000
JP1200	1200	5'-9"	8'-6"	6'-0"	5'-0"	4'-9"	6'-9"	9'-6"	6' MAX.	12,600
JP1500	1500	5'-7"	10'-8"	6'-0"	5'-0"	4'-9"	6'-7"	11'-8"	6' MAX.	14,900

- TANK DESIGNED FOR H-20 TRAFFIC WHEEL LOAD WITH DRY SOIL CONDITIONS - (WATER TABLE BELOW TANK.)
- EXTERIOR AND INTERIOR CONCRETE SURFACES TO BE COATED WITH AN APPROVED BITUMINOUS MATERIAL.
- SUITABLE NATIVE OR SUB-BASE SHALL BE PREPARED TO HANDLE ANTICIPATED LOADS. THE EXCAVATION SHALL BE BEDDED WITH SUITABLE GRANULAR MATERIAL AND SHALL BE COMPACTED TO 90% MAXIMUM DRY DENSITY, OR TO REQUIREMENTS OF THE PROJECT GEOTECHNICAL ENGINEER.
- FOR COMPLETE DESIGN AND PRODUCT INFORMATION CONTACT JENSEN PRECAST.

THE DESIGN AND DETAIL OF THIS DRAWING ARE THE PROPERTY OF JENSEN PRECAST AND NOT TO BE USED EXCEPT IN CONNECTION WITH ITS OWN WORK. DESIGN AND INVENTION RIGHTS ARE RESERVED.