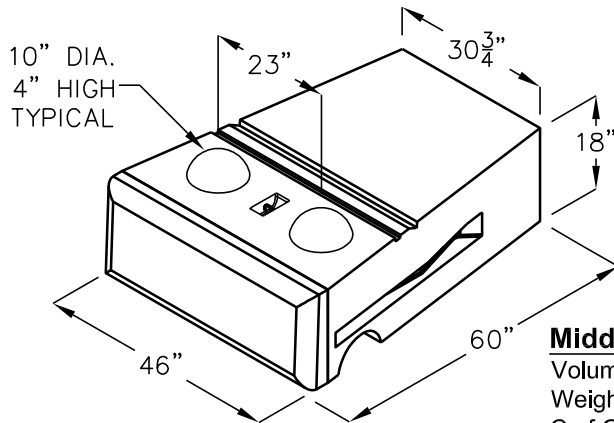
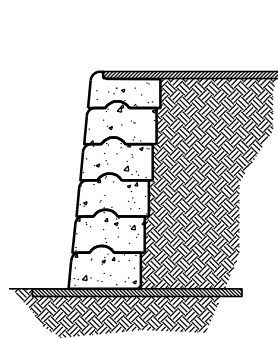
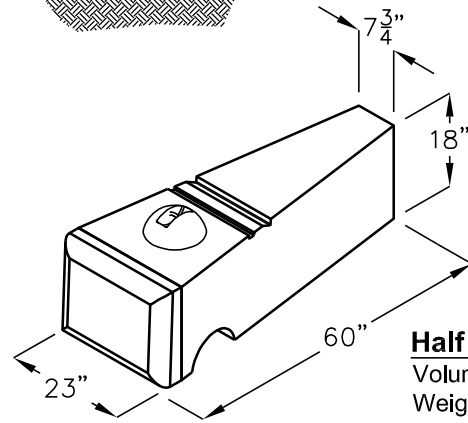


# BIG BLOCK WALL SYSTEM

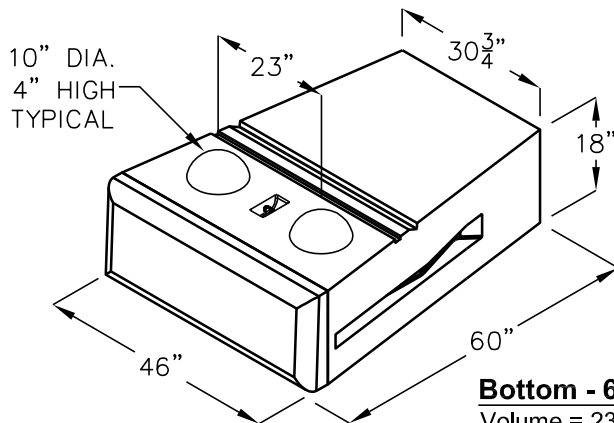
## REDI-ROCK™ RETAINING WALL 60" SERIES BLOCKS



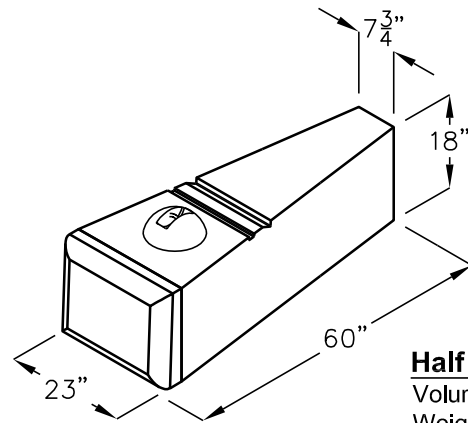
**Middle - 60"**  
Volume = 23.0 cft  
Weight = ±3290 lbs  
C of G = 31.28"



**Half Middle - 60"**  
Volume = 9.31 cft  
Weight = ±1331 lbs



**Bottom - 60"**  
Volume = 23.9 cft  
Weight = ±3420 lbs  
C of G = 31.90"



**Half Bottom - 60"**  
Volume = 9.75 cft  
Weight = ±1394 lbs

CENTER OF GRAVITY MEASURED FROM BACK OF BLOCK.  
WEIGHTS MAY VARY.

FOR COMPLETE DESIGN AND PRODUCT INFORMATION  
CONTACT JENSEN PRECAST.

Jensen Precast reserves the right to make changes to product design and/or dimensions without notice. Please contact Jensen Precast whenever necessary for confirmation or advice on product design.