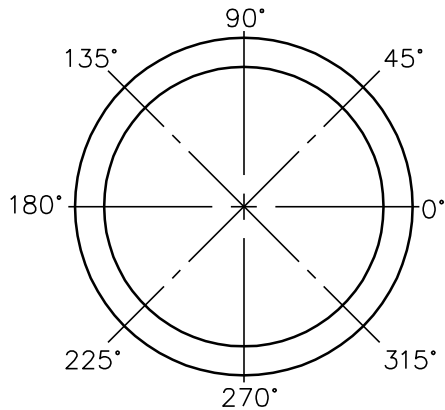


48" I.D. X 5" WALL PUMP STATION FOR SIMPLEX OR DUPLEX SYSTEM

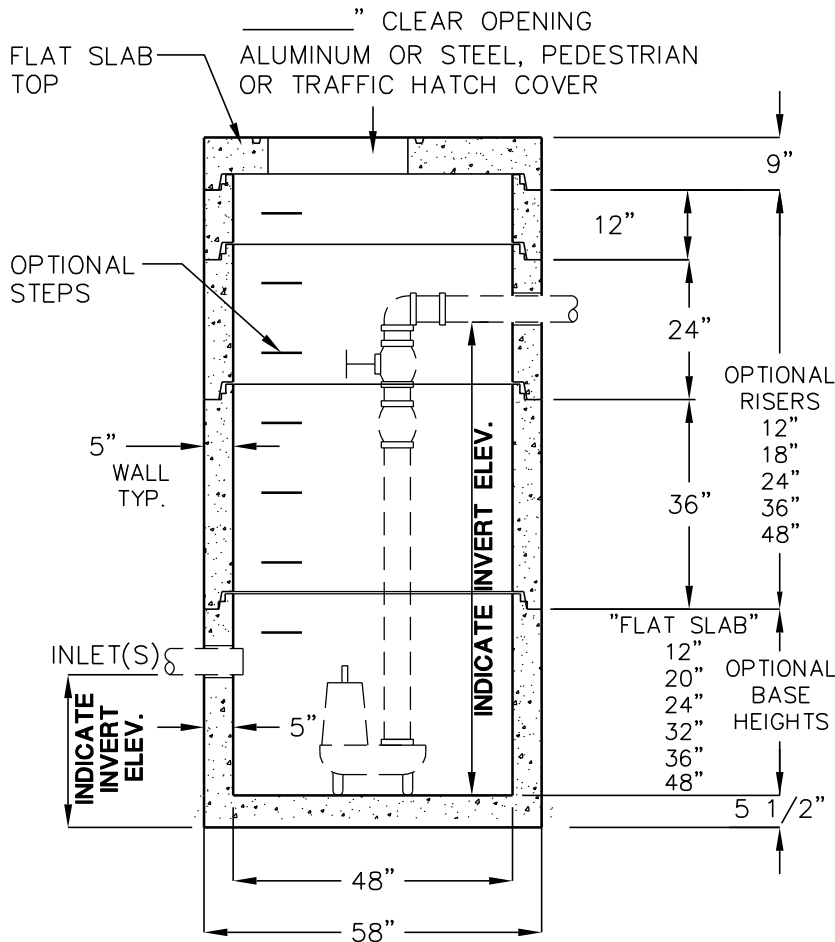


**INDICATE PIPE
PENETRATIONS, (DEGREES)
OPENING SIZE
AND LOCATION**

**INDICATE
HOLE SPECIFICATIONS**

HOLE	SIZE	LOCATION (PLAN) (DEGREES)	INVERT ELEVATION (OUTSIDE MEASURE)

INDICATE COVER OPTION



NOTES:

1. CONFORMS TO ASTM SPECS C-478 AND AASHTO M199-811 MAXIMUM DESIGN DEPTH, 30'. FOR GREATER DEPTHS, CONTACT JENSEN PRECAST.

2. VARIOUS PIPE TO MANHOLE CONNECTOR OPTIONS AVAILABLE. CONTACT JENSEN PRECAST FOR MORE INFORMATION.

FOR COMPLETE DESIGN AND PRODUCT INFORMATION, CONTACT JENSEN PRECAST.