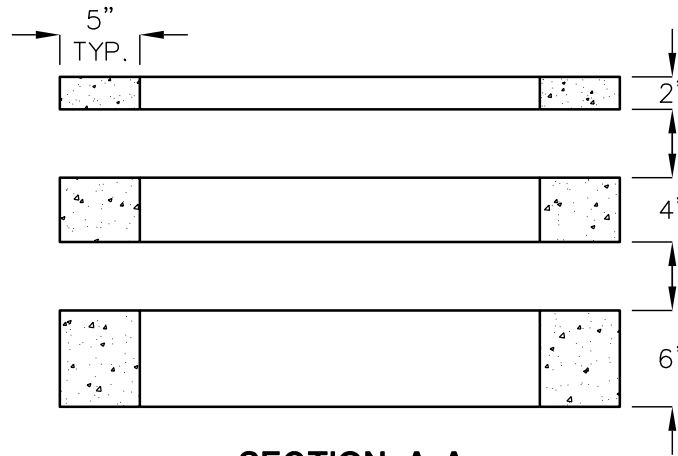
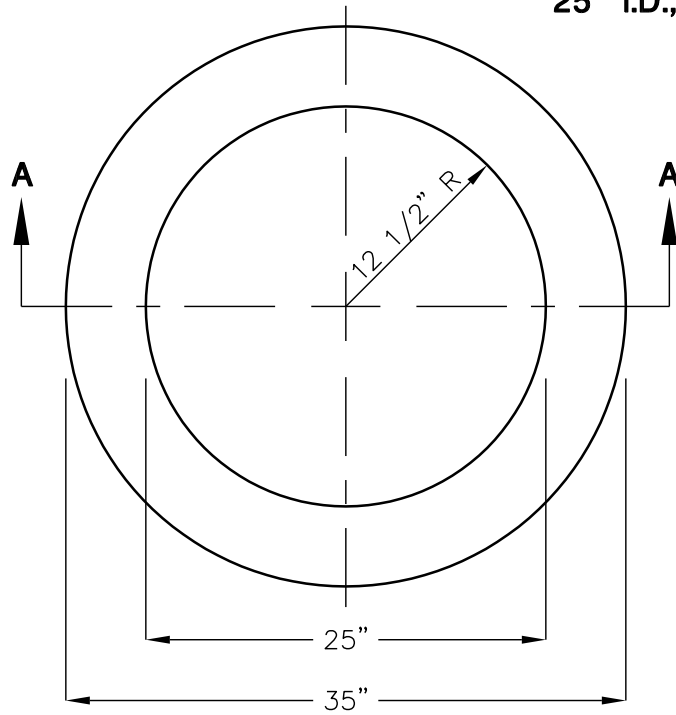


# GRADE RINGS/RISERS

MODEL GR2535  
25" I.D., 5" WALL



**SECTION A-A**

DESCRIPTION	APPROX. WEIGHT
GR2535-02 GRADE RING	82 LBS.
GR2535-04 GRADE RING	164 LBS.
GR2535-06 GRADE RING	246 LBS.

FOR COMPLETE DESIGN  
AND PRODUCT INFORMATION  
CONTACT JENSEN PRECAST.

CONFORMS TO CURRENT SPECIFICATIONS:  
ASTM C-478 AND AASHTO M-199