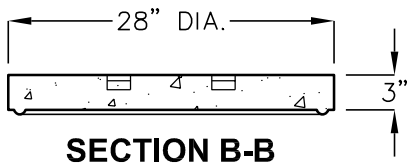
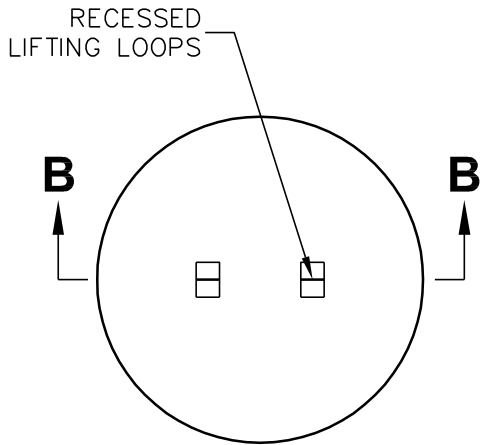
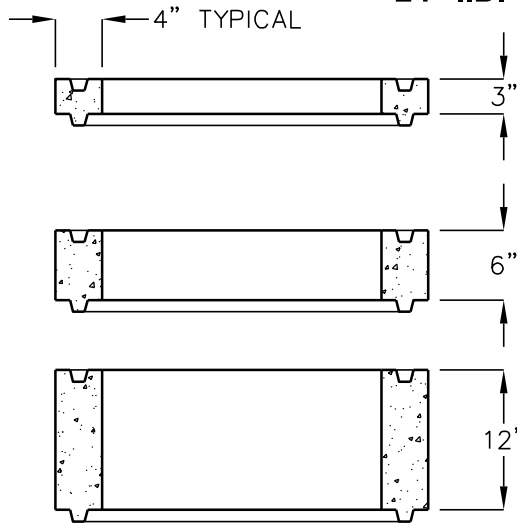
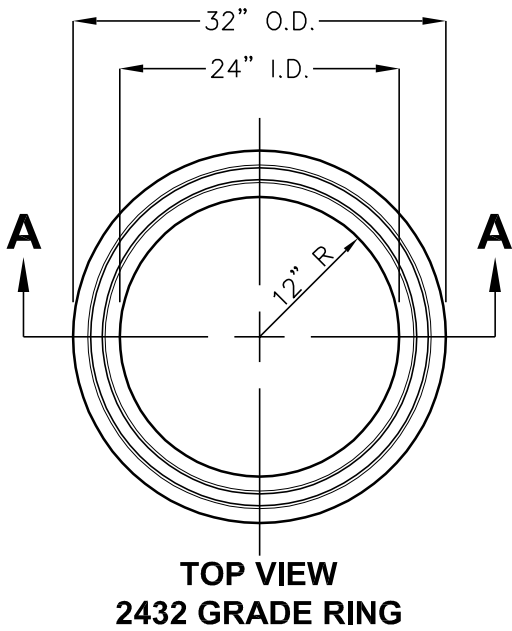


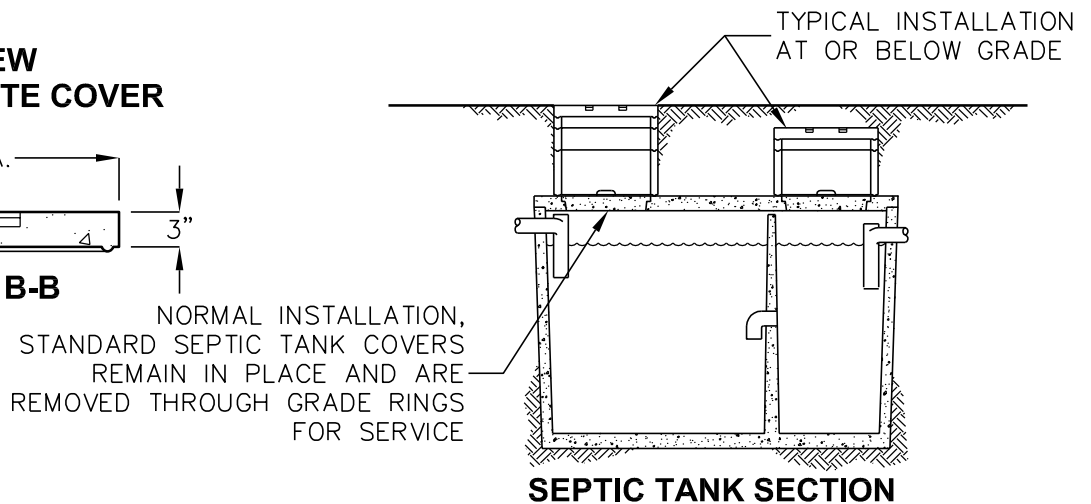
RESIDENTIAL SEPTIC TANK ACCESS OPENING GRADE RINGS

MODEL 2432
24" I.D. - 4" WALL



DESCRIPTION	MODEL NO.	PRODUCT WEIGHT	RINGS PER BUNDLE
3" GRADE RING	2432 GR-03	95 LBS	19
6" GRADE RING	2432 GR-06	185 LBS	10
12" GRADE RING	2432 GR-12	370 LBS	5
CONC. COVER	2428-S-COVER	130 LBS	N/A

RING BUNDLES ARE BANDED TOGETHER AND SHIPPED HORIZONTALLY.



DESIGN LOAD:
RINGS AND COVER- 2,500 LB. MAXIMUM WHEEL LOAD.
TANK- CAUTION - TANK MAY BE LESS THAN 2,500 LB. WHEEL LOADING

FOR COMPLETE DESIGN AND PRODUCT INFORMATION
CONTACT JENSEN PRECAST.

Jensen Precast reserves the right to make changes to product design and/or dimensions without notice. Please contact Jensen Precast whenever necessary for confirmation or advice on product design.

