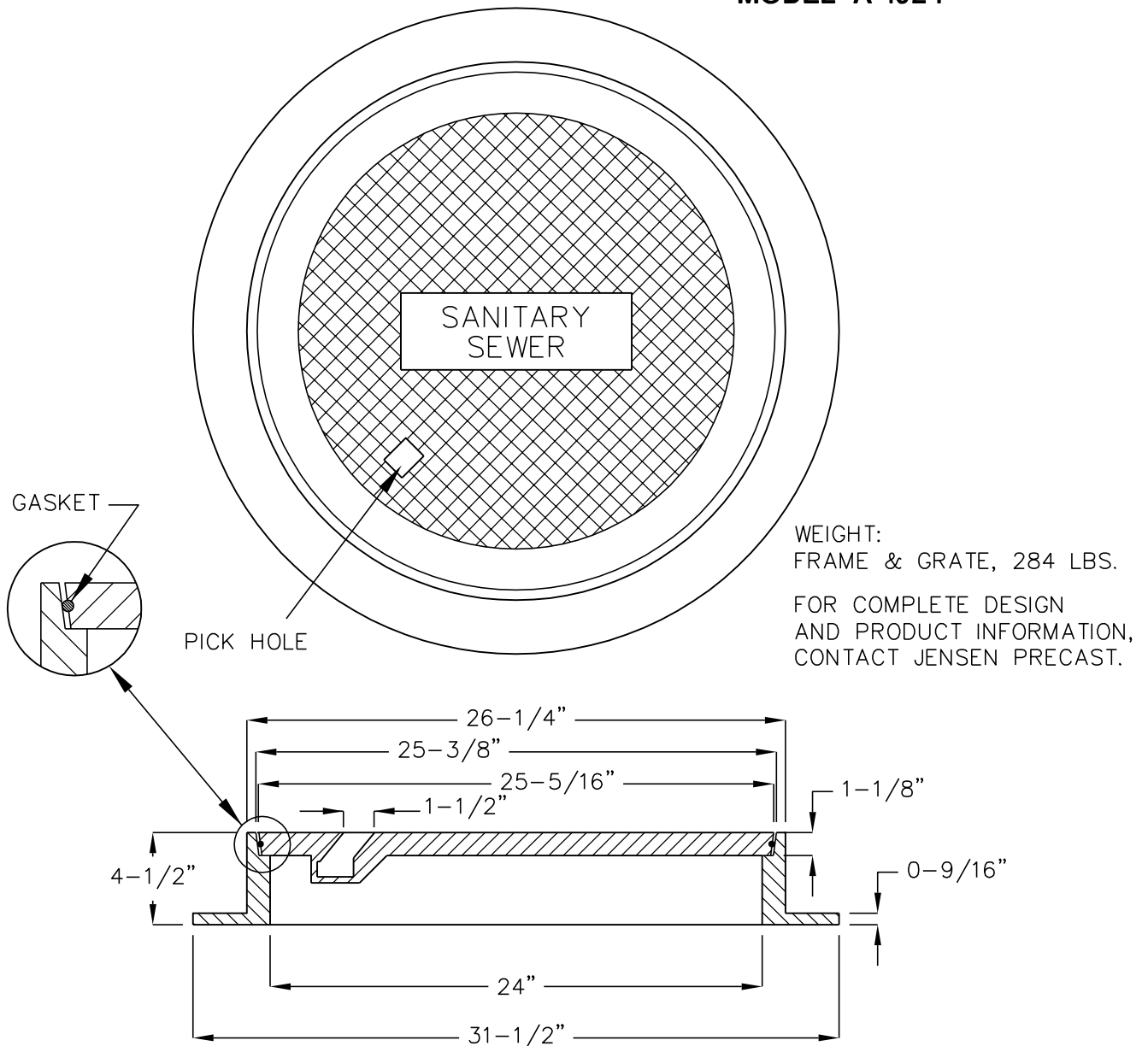


# 24" CLEAR OPENING

## FRAME AND COVER

### WITH OR WITHOUT GASKET

### MODEL A-1024



### GENERAL INFORMATION

- ◆ ALL MATERIALS USED IN MANUFACTURING SHALL CONFORM TO ASTM A48-30.
- ◆ FRAME & COVER BEARING SURFACES MACHINED TO ASSURE CLOSE, QUIET FIT.
- ◆ CASTINGS SHALL BE DIPPED IN BLACK BITUMINOUS PAINT.
- ◆ STANDARD COVER EXCEEDS H-20 WHEEL LOADING.
- ◆ STANDARD COVER MARKINGS AVAILABLE: "SANITARY SEWER", "STORM DRAIN", OR AS PER REQUIRED LETTER DESIGNATION.
- ◆ 1/4" O-RING NEOPRENE GASKET USED FOR GAS TIGHT SEAL.