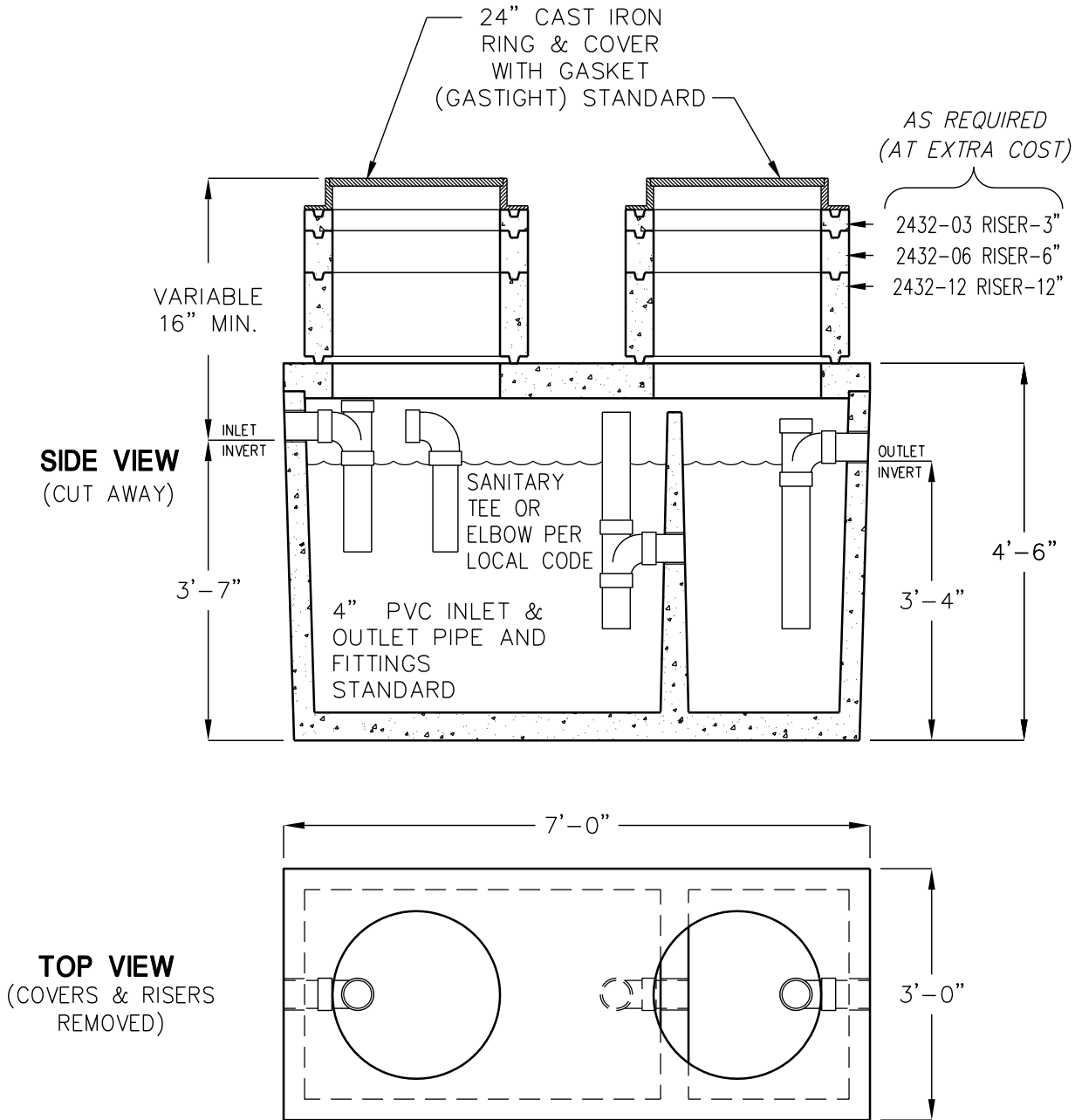


# 320 GALLON SAND-OIL INTERCEPTOR

MODEL JP320EE-SO



LIQUID CAPACITY: 320 GALLONS.

BOX DESIGN LOAD: H-20 TRAFFIC FROM 1' TO 8' OF SOIL COVER.

FOR COMPLETE DESIGN AND PRODUCT INFORMATION CONTACT JENSEN PRECAST.