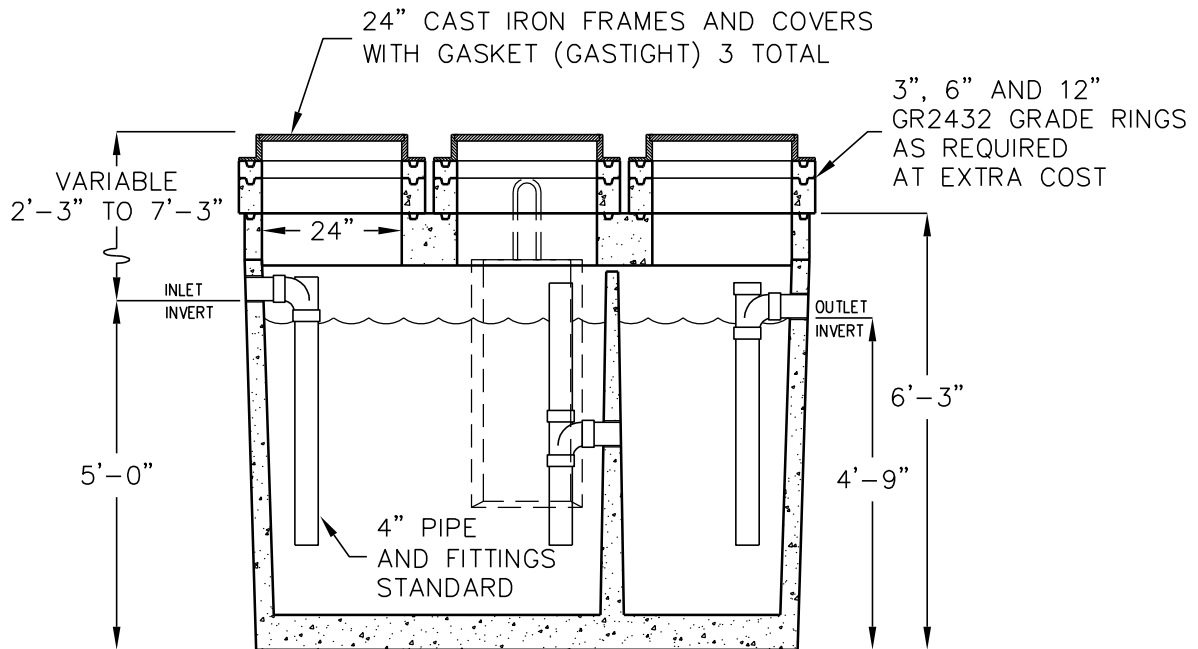
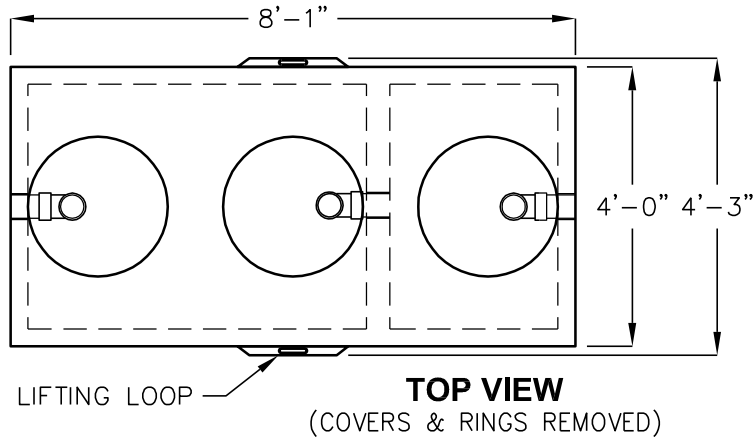


# 750 GALLON GREASE INTERCEPTOR

MODEL JP750ECE-G  
LISTED BY UPC®

NAPA AND PLACER COUNTY,  
CITY OF ROSEVILLE



OPERATING CAPACITY: 750 GALLONS.

DESIGN LOAD: H-20 TRAFFIC WITH DRY SOIL CONDITIONS  
(WATER LEVEL BELOW TANK) AND 1'-6' EARTH COVER.

SUITABLE SUB-BASE BEDDED WITH GRANULAR MATERIAL SHALL BE  
PREPARED TO HANDLE ANTICIPATED LOADS.

FOR COMPLETE DESIGN AND PRODUCT INFORMATION  
CONTACT JENSEN PRECAST.

MINIMUM EXCAVATION  
5'-3" x 9'-1"  
x REQ'D DEPTH