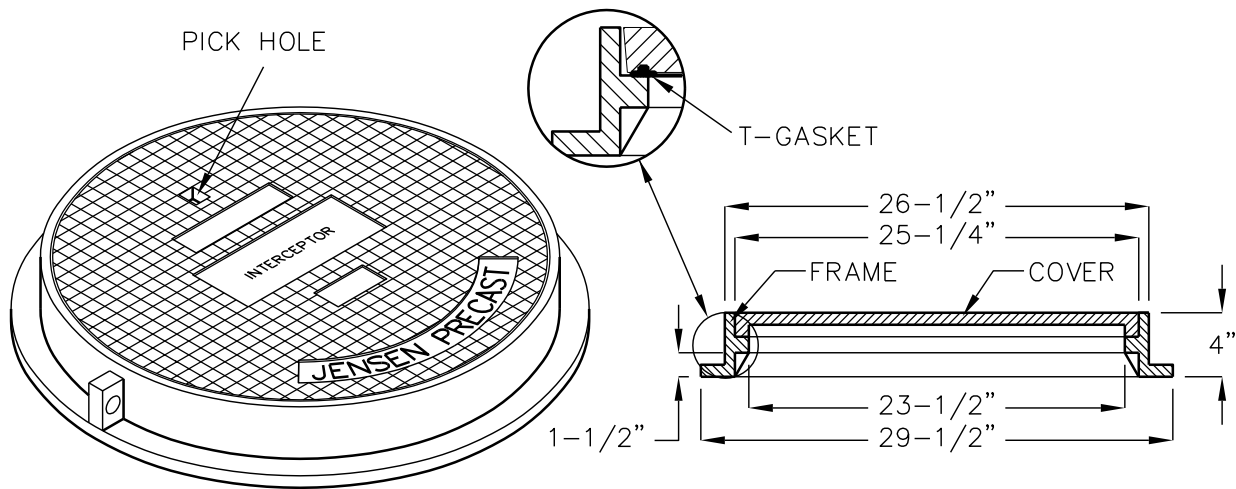
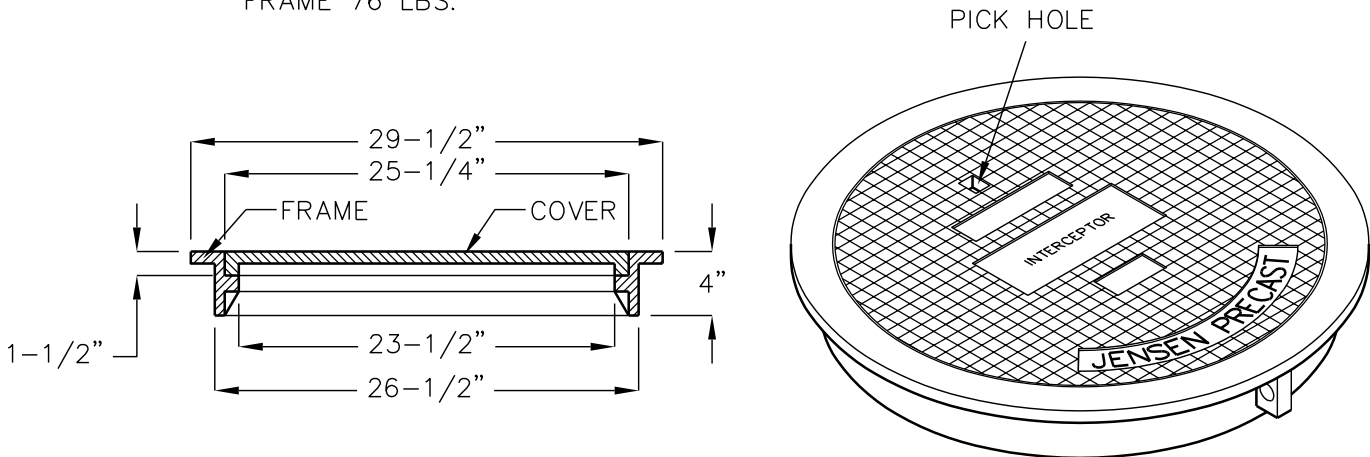


TRAFFIC CAST IRON FRAME AND COVER WITH GASKET



STANDARD MODEL

WEIGHT:
COVER 110 LBS.
FRAME 76 LBS.



FOR SLAB CONSTRUCTION

GENERAL INFORMATION

- ◆ ALL MATERIALS USED IN MANUFACTURING SHALL CONFORM TO ASTM A48, CLASS 35B.
- ◆ FRAME & COVER BEARING SURFACES MACHINED TO ASSURE CLOSE, QUIET FIT.
- ◆ STANDARD COVER MEETS H-20 WHEEL LOADING.
- ◆ MARKED "INTERCEPTOR"
- ◆ OIL RESISTANT T-GASKET USED FOR GAS TIGHT SEAL.
- ◆ OPTIONAL F&C's – TRAFFIC BOLT DOWN.
– SECURITY TRAFFIC BOLT DOWN.

FOR COMPLETE DESIGN
AND PRODUCT INFORMATION,
CONTACT JENSEN PRECAST.