

687 TDPUD WATER DEPARTMENT

TWO PIECE MODEL

6'-0"x8'-0"x7'-0"

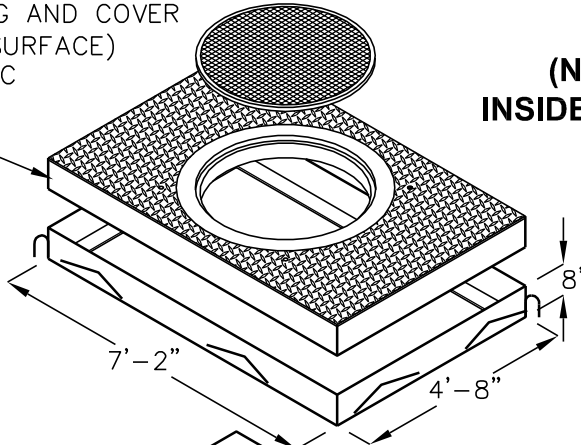
(NOMINAL INSIDE DIMENSIONS)

INSIDE VOLUME 336 CU. FT. - 2,515 GAL.

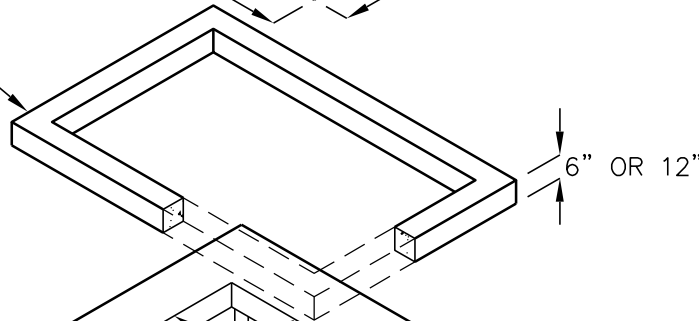
4878HD36 COVER

REMOVABLE TOP SLAB
WITH 36" DIA. RING AND COVER
(DIAMOND PLATE SURFACE)
H-20 FULL TRAFFIC

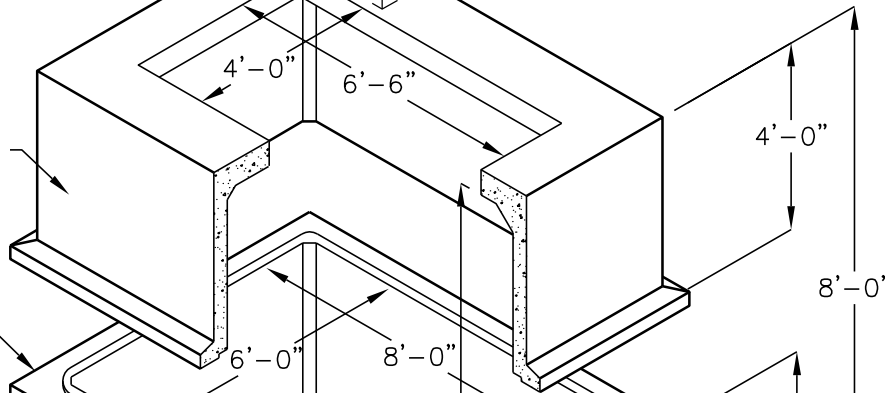
APPROX. WEIGHT:
4100 LBS.



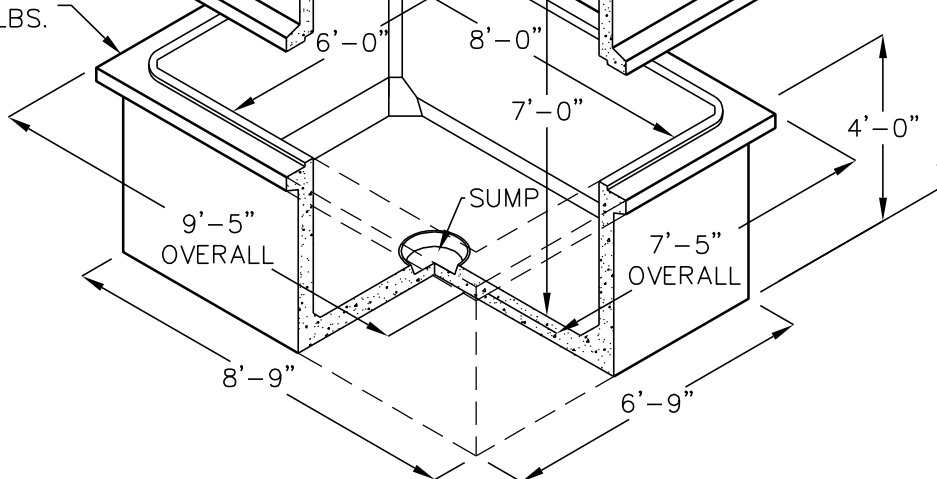
APPROX. WEIGHT:
6" - 870 LBS.
12" - 1730 LBS.



APPROX. WT.
8,350 LBS.



APPROX. WT.
10,300 LBS.



FOR COMPLETE DESIGN AND PRODUCT INFORMATION
CONTACT JENSEN PRECAST.

Jensen Precast reserves the right to make changes to product design
and/or dimensions without notice. Please contact Jensen Precast whenever
necessary for confirmation or advice on product design.

JENSEN
PRECAST