

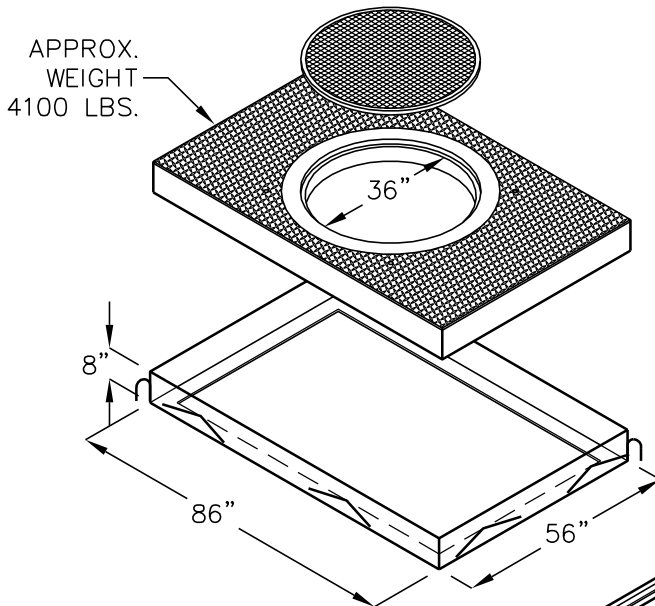
4878 TDPUD WATER DEPARTMENT

4'-0"x6'-6"x3'-0"

(NOMINAL INSIDE DIMENSIONS)
INSIDE VOLUME 78 CU. FT. - 584 GAL.

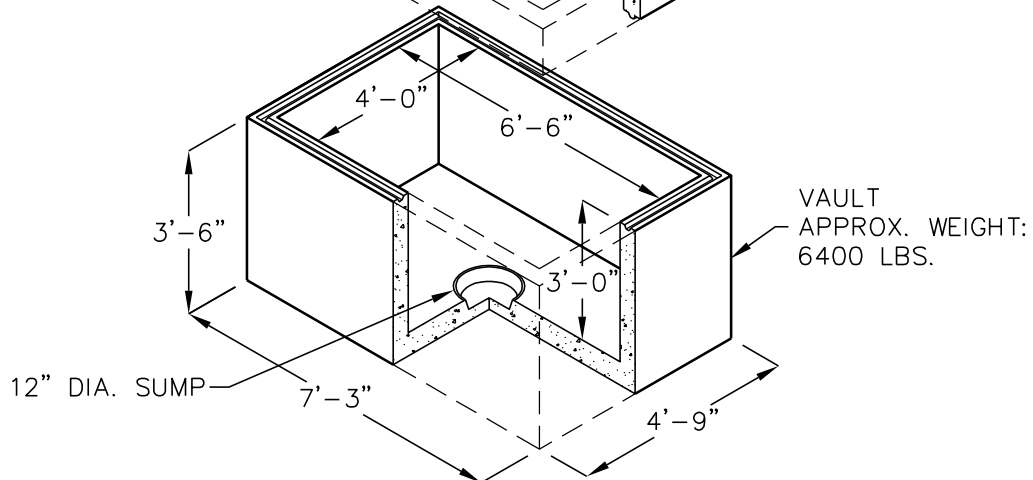
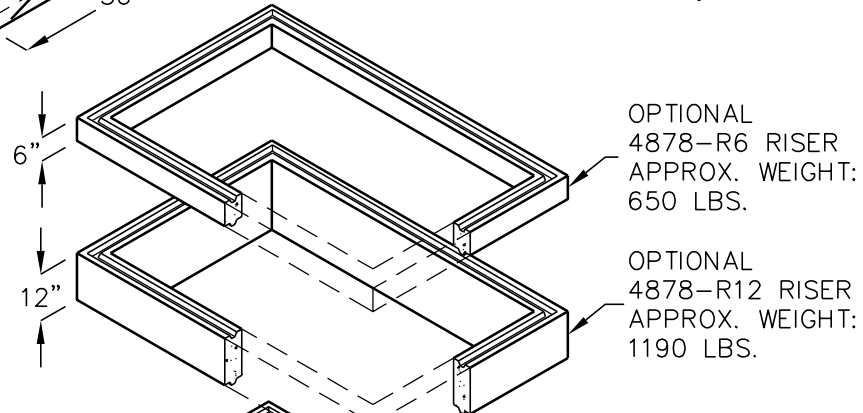
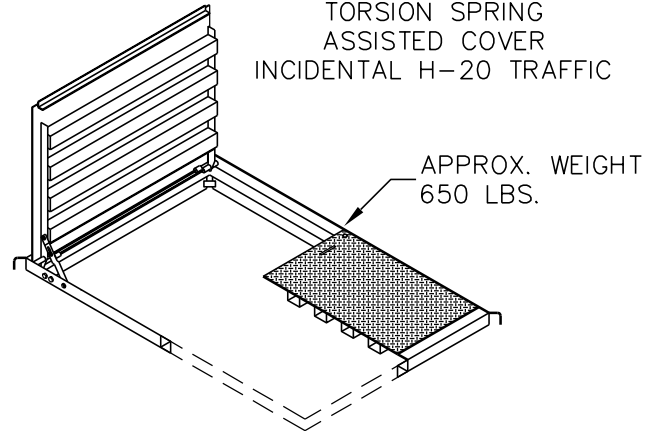
4878HD36 COVER

REMOVABLE TOP SLAB WITH
36" DIA. RING AND COVER
(DIAMOND PLATE SURFACE)
H-20 FULL TRAFFIC



4878AT-1 COVER

TORSION SPRING
ASSISTED COVER
INCIDENTAL H-20 TRAFFIC



FOR COMPLETE DESIGN AND PRODUCT INFORMATION,
CONTACT JENSEN PRECAST.

Jensen Precast reserves the right to make changes to product design
and/or dimensions without notice. Please contact Jensen Precast whenever
necessary for confirmation or advice on product design.