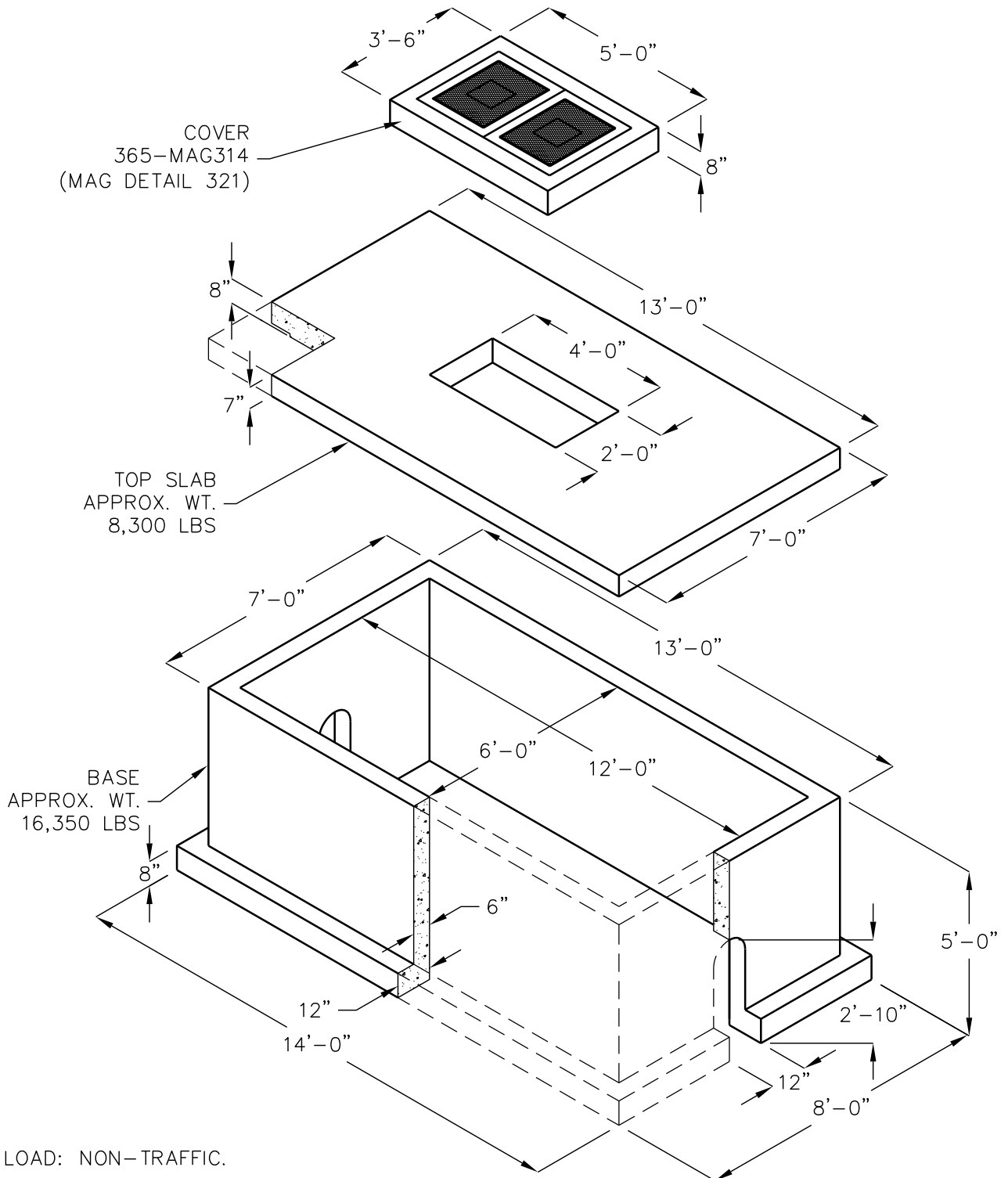


612 WATER VAULT

6' X 12' X 5'
(NOMINAL INSIDE DIMENSIONS)
6" WATER METER

MARICOPA ASSOCIATION OF GOVERNMENTS
DETAIL 345-1



DESIGN LOAD: NON-TRAFFIC.

FOR COMPLETE DESIGN AND PRODUCT INFORMATION
CONTACT JENSEN PRECAST.

7/10/06
612_VAULT_MAG314_A.dwg
© 2006 Jensen Precast

JENSEN
PRECAST