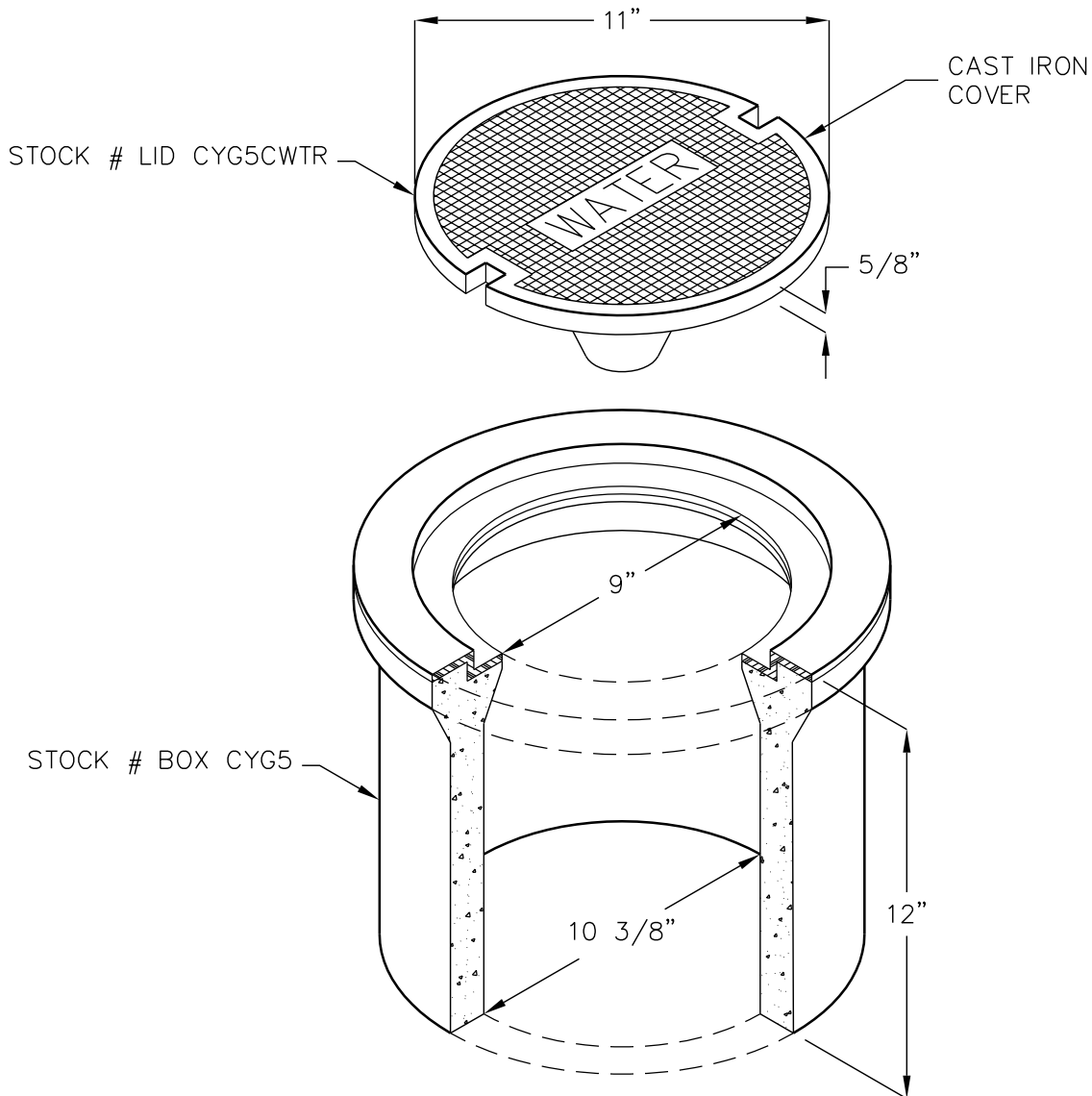


VALVE BOX

2" BLOW OFF VALVE

MEETS LVVWD
SPECIFICATION
PLATE #4



OPTIONAL COVER MARKINGS

"SEWER"	CYG5CSWR
"GROUND"	CYG5CGND
"MONUMENT"	CYG5CMNT
"ELECTRIC"	CYG5CELE

DESIGN LOAD: H-20 FULL TRAFFIC.

FOR COMPLETE DESIGN
AND PRODUCT INFORMATION
CONTACT JENSEN PRECAST.