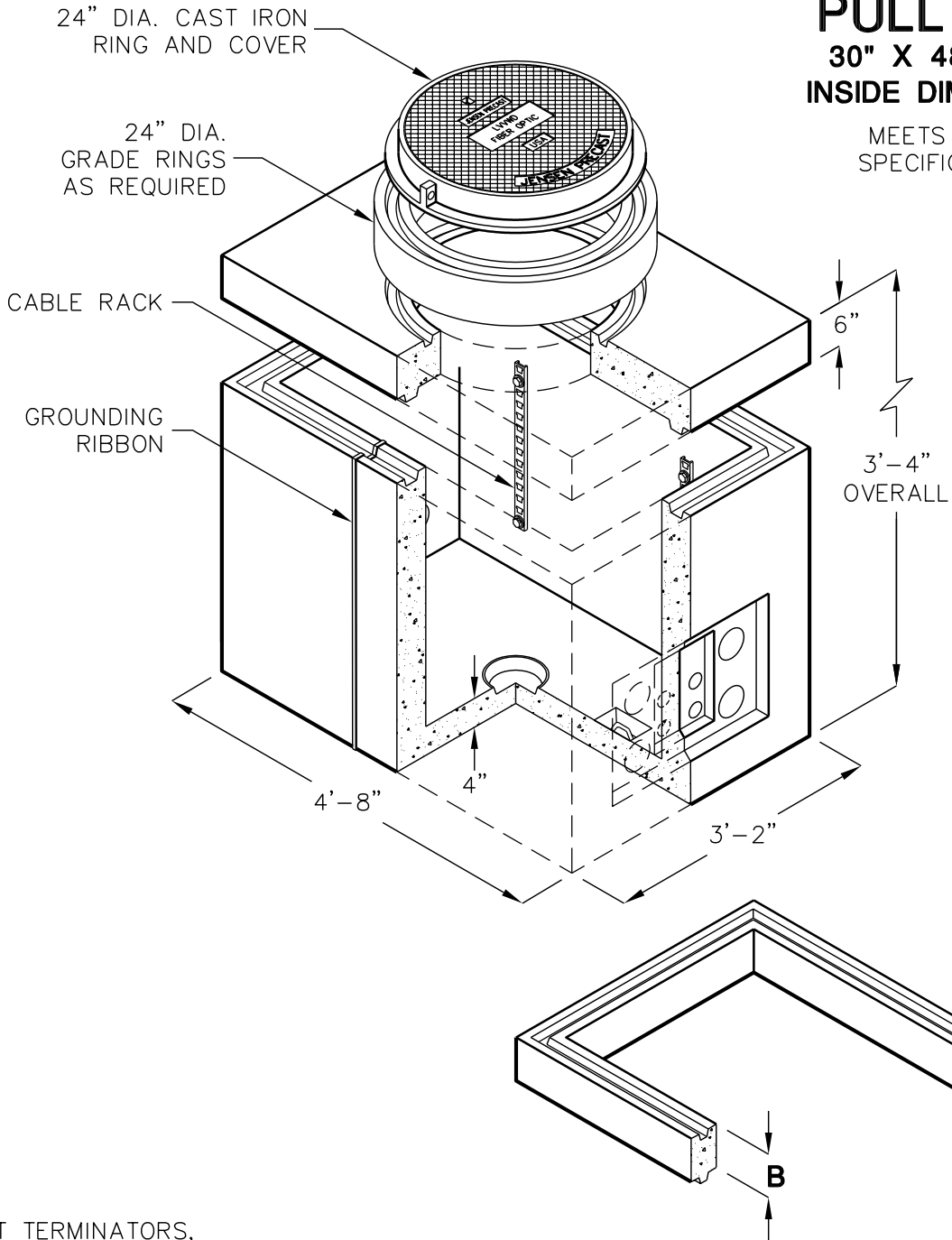


LVVWD 200T FIBER OPTIC PULL BOX

30" X 48" X 30"
INSIDE DIMENTIONS

MEETS LVVWD
SPECIFICATIONS



DUCT TERMINATORS,
KNOCKOUTS, RACKING, ETC.
PER CURRENT LVVWD
SPECIFICATIONS.

DESIGN LOAD: H-20 TRAFFIC.

FOR COMPLETE DESIGN
AND PRODUCT INFORMATION
CONTACT JENSEN PRECAST.

OPTIONAL RISERS (EXTENSIONS)		
MODEL NO.	B	WEIGHT
RS304806	6"	283 LBS.
RS304812	12"	567 LBS.