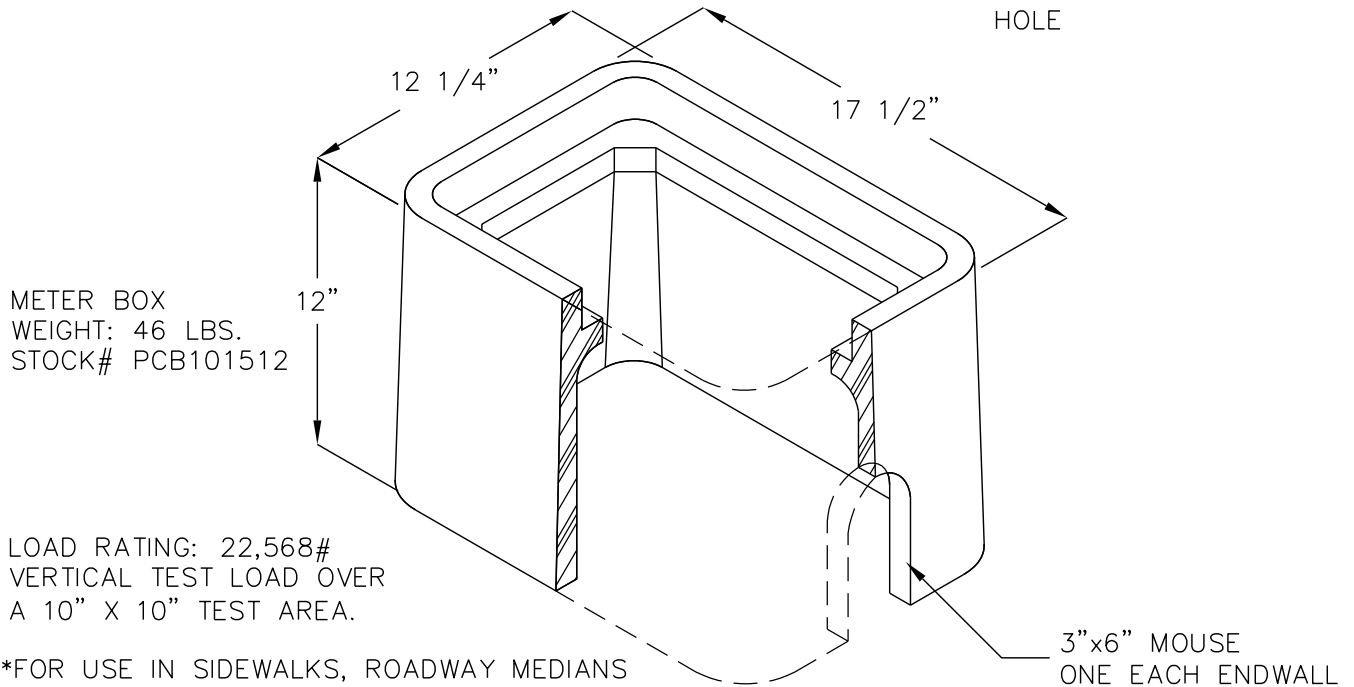
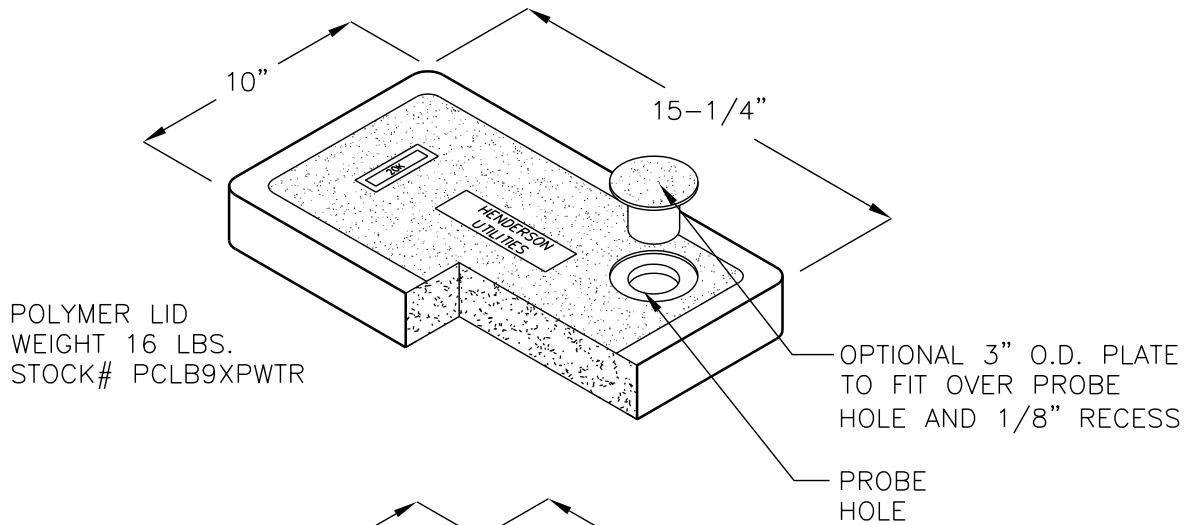


CITY OF HENDERSON 3/4" POLYMER WATER METER BOX

10" x 15" x 12"
(INSIDE DIMENSIONS)



*FOR USE IN SIDEWALKS, ROADWAY MEDIANS
AND BEHIND CURB LOCATIONS WHERE NO
DELIBERATE VEHICULAR TRAFFIC IS PLANNED.
METERS PLACED IN ROLL CURBS OR
DRIVEWAYS REQUIRE TRAFFIC RATED BOX
AND LID.

FOR COMPLETE DESIGN
AND PRODUCT INFORMATION,
CONTACT JENSEN PRECAST.