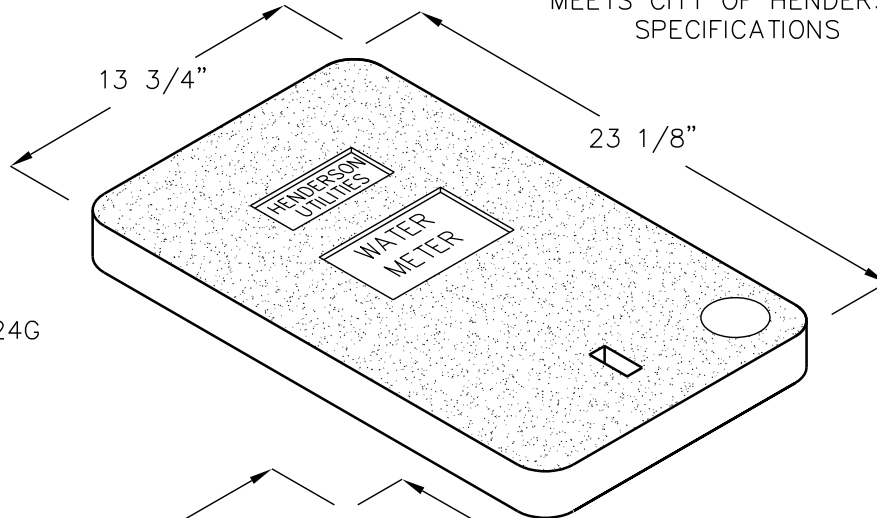


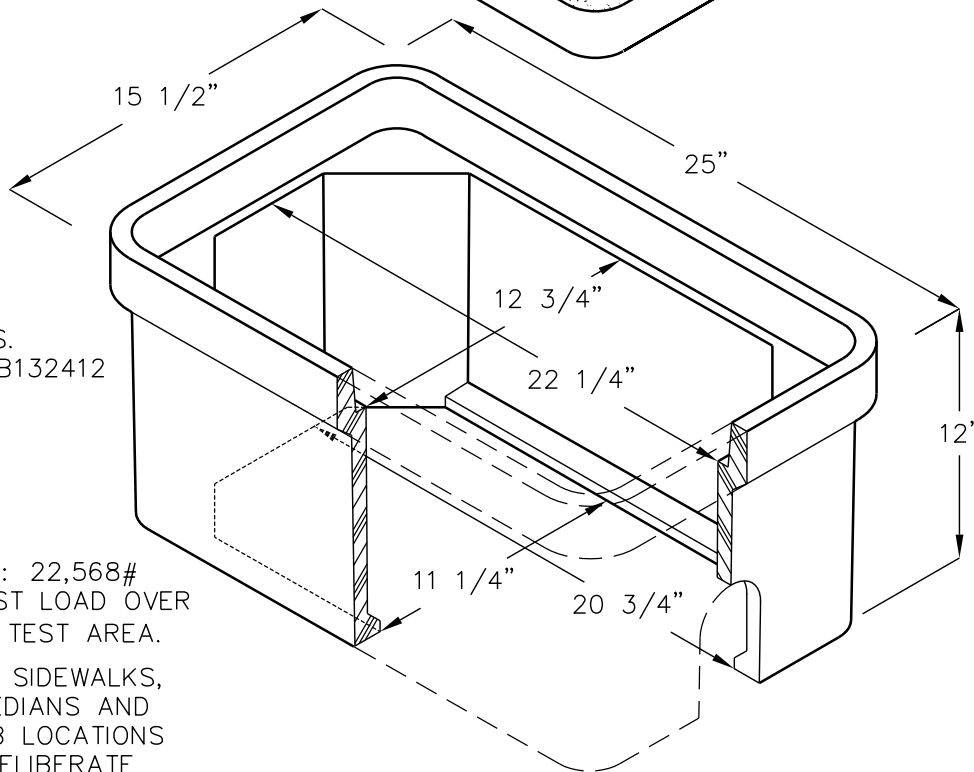
CITY OF HENDERSON 1" POLYMER WATER METER BOX

13" x 24" x 12"
(INSIDE DIMENSIONS)

MEETS CITY OF HENDERSON
SPECIFICATIONS



*POLYMER LID
23 LBS.
STOCK # PCL1324G



*BOX 52 LBS.
STOCK # PCB132412

LOAD RATING: 22,568#
VERTICAL TEST LOAD OVER
A 10" X 10" TEST AREA.

*FOR USE IN SIDEWALKS,
ROADWAY MEDIANS AND
BEHIND CURB LOCATIONS
WHERE NO DELIBERATE
VEHICULAR TRAFFIC IS
PLANNED. METERS PLACED IN
ROLL CURBS OR DRIVEWAYS
REQUIRE TRAFFIC RATED BOX
AND LID.

FOR COMPLETE DESIGN
AND PRODUCT INFORMATION,
CONTACT JENSEN PRECAST.

WHEN ORDERING:
Standard City of Henderson
1324 kit includes box & lid as
shown. Items may be ordered
individually for replacement.
Refer to individual stock number
when ordering.