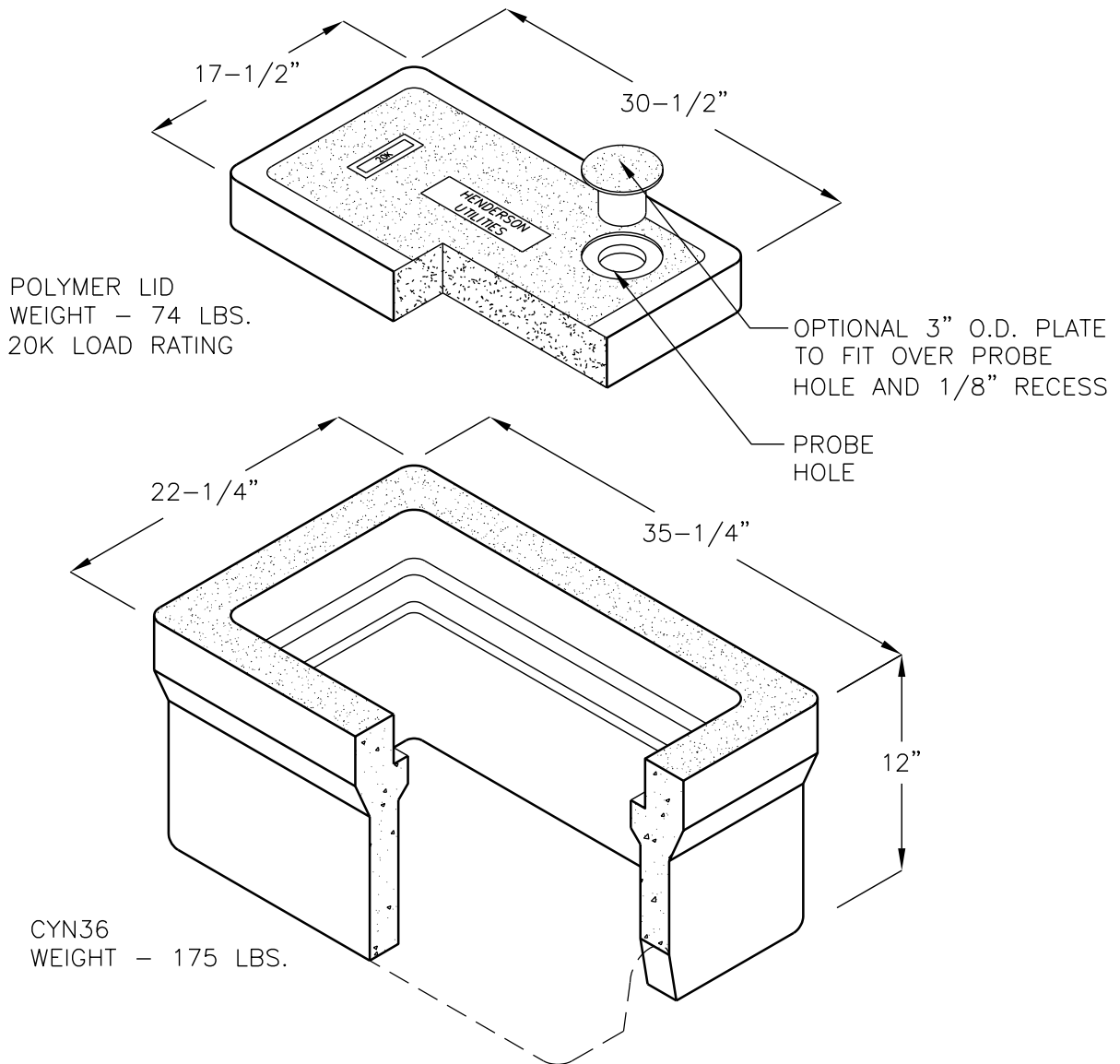


# CITY OF HENDERSON 1 1/2" - 2" WATER METER BOX N36 BOX W/ POLYMER PROBE LID



FOR COMPLETE DESIGN  
AND PRODUCT INFORMATION  
CONTACT JENSEN PRECAST.

FOR USE IN BEHIND CURB  
NON-TRAFFIC LOCATIONS.  
METERS PLACED IN ROLL  
CURBS OR DRIVEWAYS  
REQUIRE OPTIONAL 20k  
RATED POLYMER LID.