

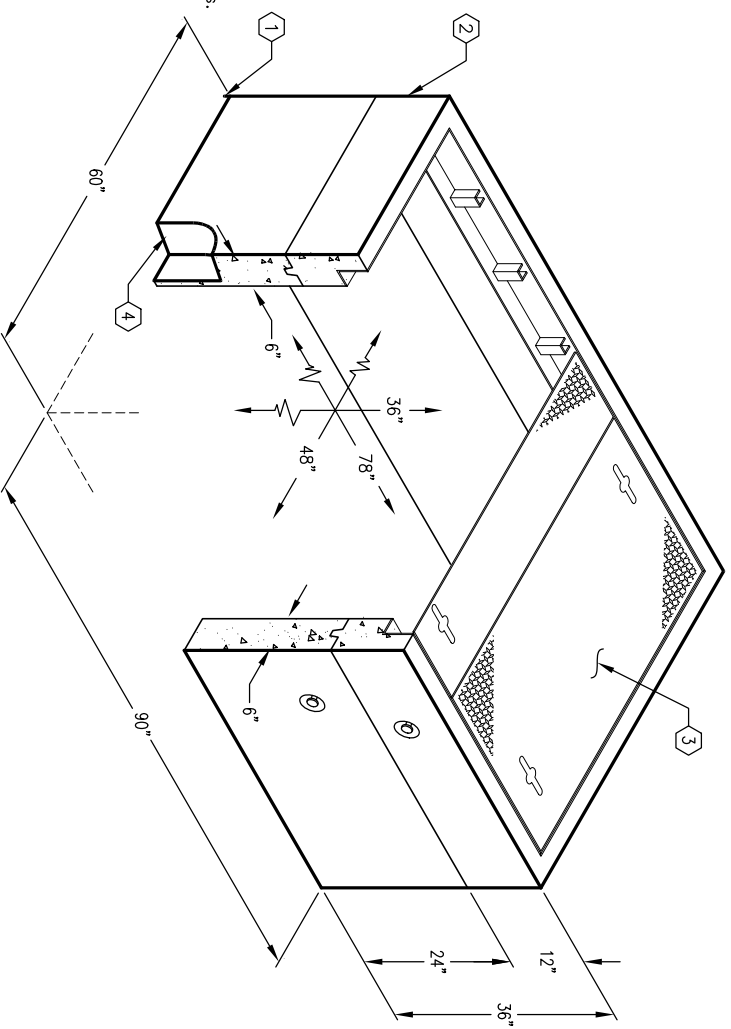
4'-0" X 6'-6" TRAFFIC WATER VAULT X 3'-0" DEEP

NOTES:

- HANDHOLE DESIGNED IN ACCORDANCE WITH AASHTO H-20-44 TRAFFIC BRIDGE LOADING USING 5,500 PSI [37.92MPa] COMPRESSIVE STRENGTH CONCRETE AND 60,000 PSI [413.2MPa] YIELD STRENGTH ASTM A-706 STEEL REINFORCEMENT PER CALC. #31951.
- COVER DESIGNED FOR H-20-44 TRAFFIC LOADING. FOR USE IN OFF STREET LOCATIONS PER CALC. #31832.
- HANDHOLE TO BE PLACED ON A MIN. 6" BASE OF CRUSHER RUN FOR EASE OF INSTALLATION AND EVEN LOAD DISTRIBUTION.
- ORDERING INFORMATION:
K466-FH36-08T FOR ASSEMBLY AS SHOWN.
TOTAL WEIGHT OF ASSEMBLY SHOWN IS 5,925 lbs.

GENERAL NOTES:

- Minimum soil bearing capacity is hereby assumed to be 2000 PSF unless otherwise documented by a geotechnical report that shall be provided to Jensen Precast by the end user. Jensen Precast shall not be held responsible for the soil bearing capacity.
- Installation of Manholes, Vaults, Handholes, Meter Boxes etc. will be as per Jensen installation procedures.
- Structural modification to the Jensen line of products is not permitted without prior written approval from Jensen Engineering Department.
- Do not scale the drawings, verify all dimensions including rough openings, if any discrepancies are found, notify the Jensen Engineer immediately.
- The Jensen Engineer will interpret the intent of the drawings in case of possible conflict or discrepancy.
- Permissible Variations: Dimensional Tolerances – The length, width, height, or dia. measurements of the structure when measured on the inside surfaces shall not deviate from design dimensions by more than the following:
Dimensions: Tolerance:
0 to 5 Feet 1/4"
5 to 10 Feet 3/8"
10 to 20 Feet as agreed upon between the supplier and purchaser.
- Squareness Tolerance: The inside of the precast concrete component shall be square as determined by diagonal measurements. The difference between such measurements shall not exceed the following:
Measured Length: Allowable Difference
0 to 10 Feet 1/2"
10 to 20 Feet 3/4"
20 Feet and over as agreed upon between the supplier and purchaser.



- PB466-124-08, 24" LOWER SECTION, WT. 3,475 lbs.
- PB466-112-08T, 12" TOP SECTION, W/F466-PB-ANG
- ANGLE FRAME CAST-IN, WT. 1,750 lbs. (SC466-TRD) W/ (5) LOOSE H-BEAM (CA466-TRW), 3 PIECE TRAFFIC COVER (SCB466-TRD) (12) 1/2" S.S.H.H. BOLT FOR (SCB466-2097), (12) 1/2" S.S.H.H. BOLT FOR BOLT DOWN, (6) FLUSH LIFT HANDLE, PAINTED RED, WT. 700 lbs.
- 12" x 12" PIPE SLOT K.O. x 5" DEEP. LOCATE AS FOLLOWS:
LOWER SECTION (2) SHELL MTD.

MINIMUM EXCAVATION SIZE:
6'-0" x 8'-6" x DEPTH REQD.

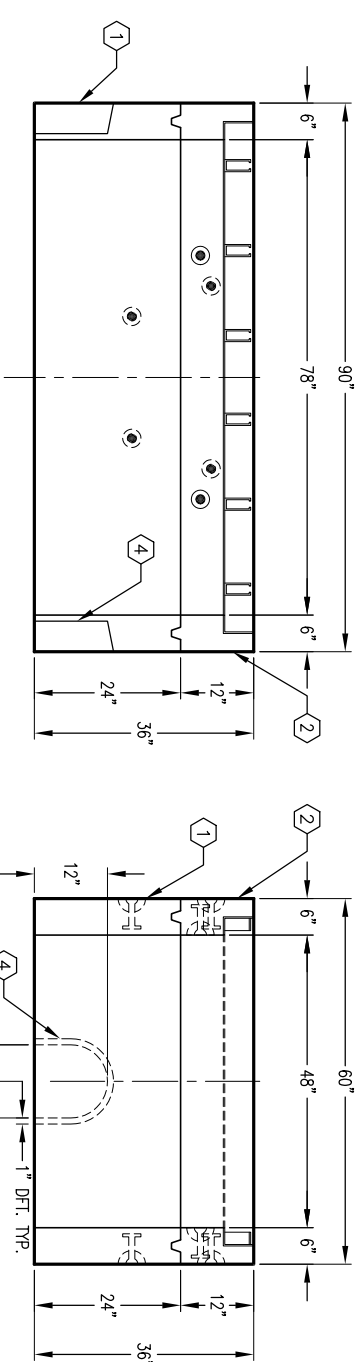
K466-FH36-08T

PER CUSTOMER SPECS.

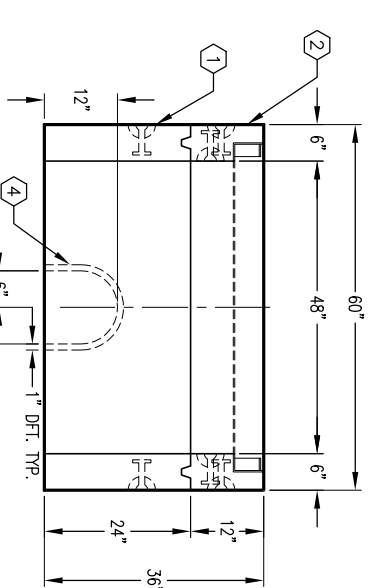
03-01-02

JENSEN
PRECAST

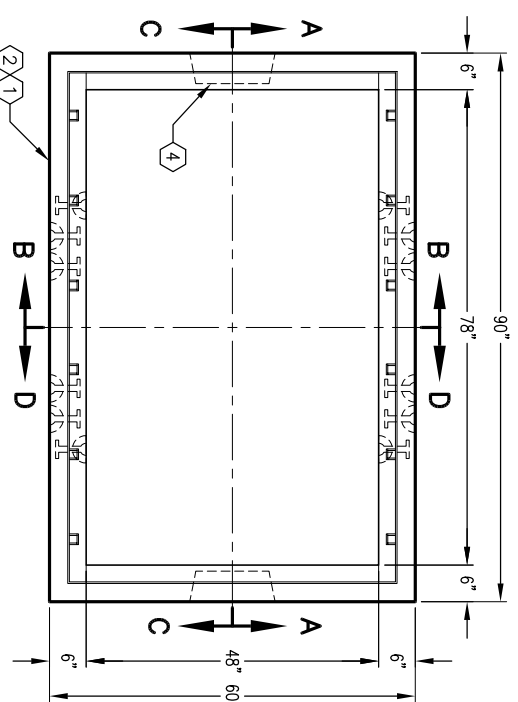
AUTOCAD REL. 14



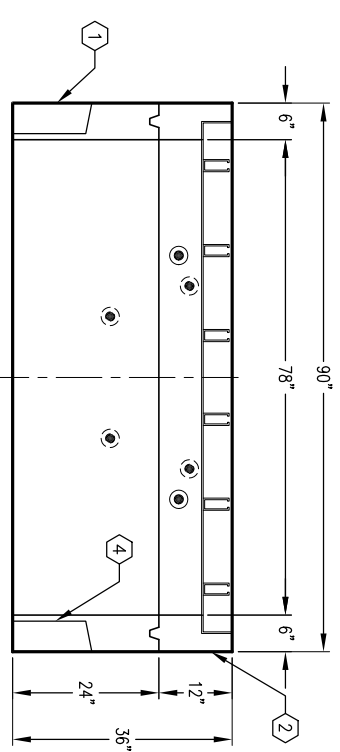
SECTION A-A



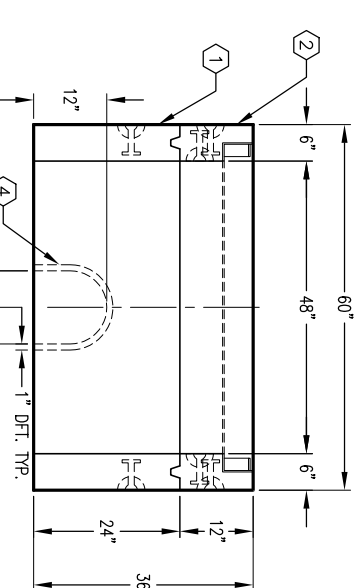
SECTION B-B



PLAN VIEW



SECTION C-C



SECTION D-D

JENSEN
PRECAST

#	DATE	DESCRIPTION	BY

K466-FH36-08T

PER CUSTOMER SPECS.

03-01-02