

# 3'-0" X 5'-0" TRAFFIC WATER VAULT X 33" DEEP

**NOTES:**

- HANDHOLE DESIGNED IN ACCORDANCE WITH ASHTO H-20-44 TRAFFIC BRIDGE LOADING USING 5,500 PSI [37.92MPa] COMPRESSIVE STRENGTH CONCRETE AND 60,000 PSI [413.2MPa] YIELD STRENGTH A-706 STEEL REINFORCING PER CALC. #31910.
- COVER DESIGNED FOR H-20-44 TRAFFIC LOADING FOR USE IN OFF-STREET LOCATIONS PER CALC. #31691.
- HANDHOLE TO BE PLACED ON A 6" BASE OF CRUSHER RUN FOR EASE OF INSTALLATION AND EVEN LOAD DISTRIBUTION.

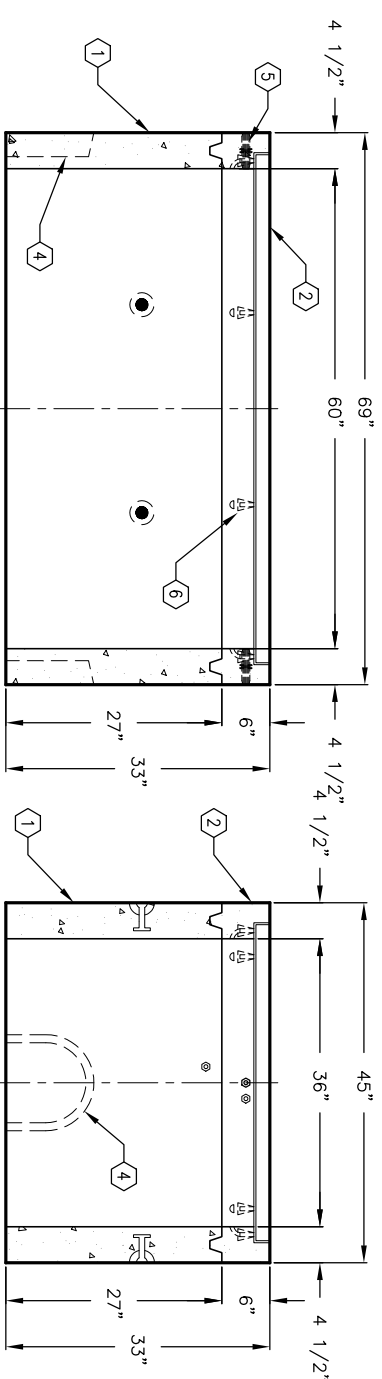
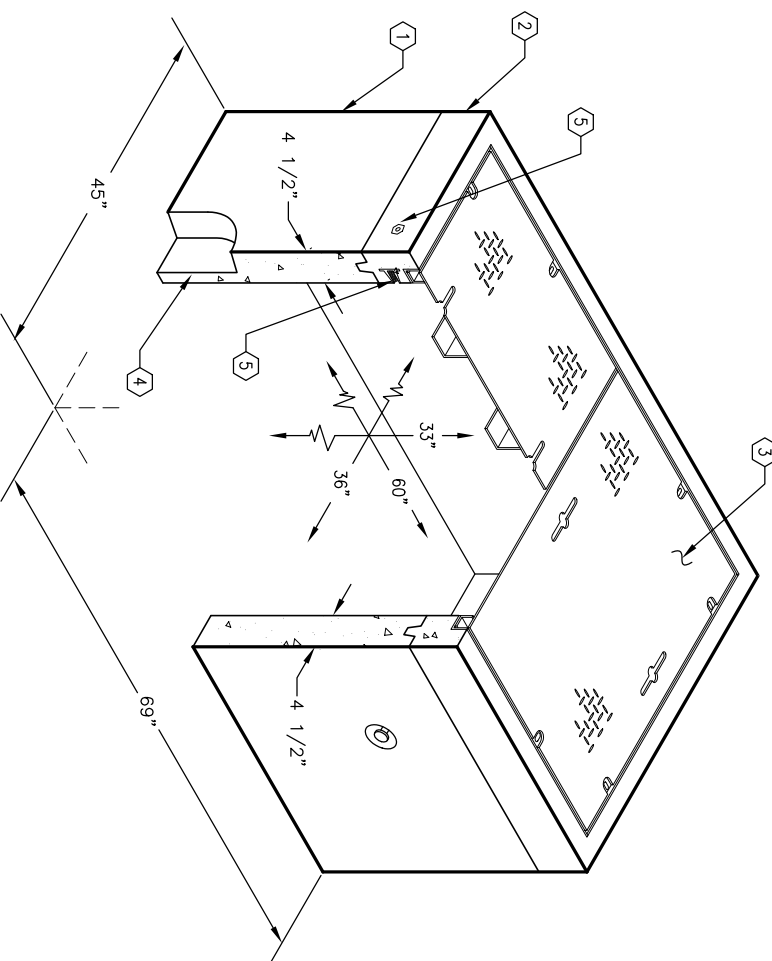
**ORDERING INFORMATION:**

K3660-FH33-08T FOR ASSEMBLY AS SHOWN.  
TOTAL WEIGHT OF ASSEMBLY IS 3,164 lbs.

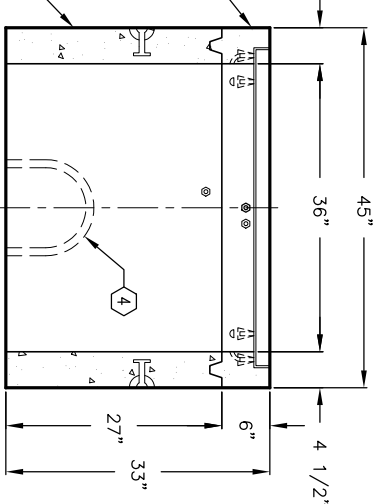
1. PB3660F-L27-08, 27" LOWER SECTION, WT. 2,200 lbs.
2. PB3660-T6F, 6" TOP SECTION W/(F3660-PB-ANG) CAST-IN FRAME, WT. 527 lbs.
3. SC3660-TRD, 2 PIECE TRAFFIC COVER W/(8) 1/2"-13NC x 2 1/2" S.S.H.H. BOLTS, (4) STANDARD LIFT HANDLES, RED PRIMER FINISH, WT. 437 lbs.
4. 10 x 10" PIPE SLOT K.O. x 3" DEEP, LOCATE AS FOLLOWS: LOWER SECTION (2) SHELL MTD.
5. 1/2" P-36-T INSERT, LOCATE AS FOLLOWS: LOWER SECTION (2) CORE MTD.; TOP SECTION (2) SHELL MTD.
6. 1/2" P-36-OB INSERT W/CLEANOUT HOLE, LOCATE AS FOLLOWS: TOP SECTION (8) FRAME MTD.

**GENERAL NOTES:**

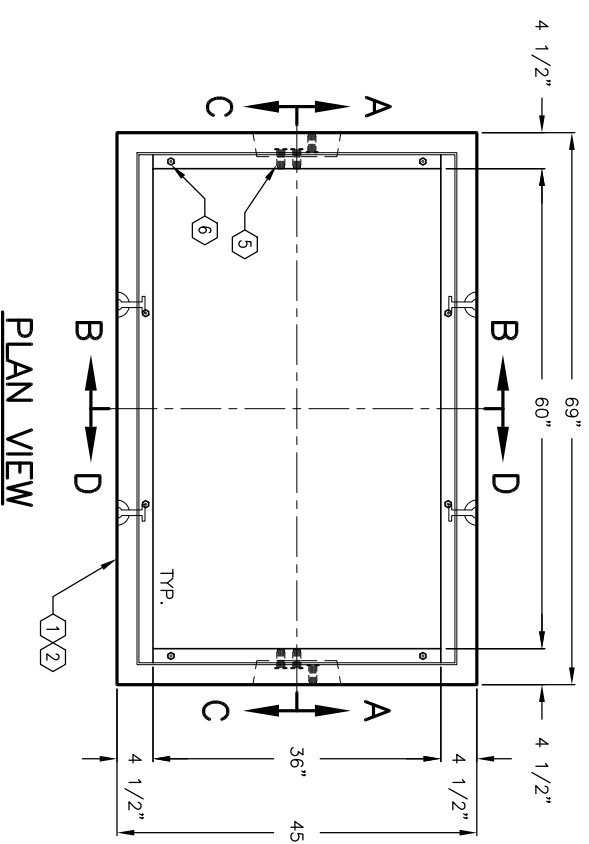
1. Minimum soil bearing capacity is hereby assumed to be 2000 PSF unless otherwise documented by a geotechnical report that shall be provided to Jensen Precast by the end user. Jensen Precast shall not be held responsible for the soil bearing capacity.
2. Installation of Manholes, Vaults, Handholes, Meter Boxes etc. will be as per Jensen installation procedures.
3. Structural modification to the Jensen line of products is not permitted without prior written approval from Jensen Engineering Department.
4. Do not scale the drawings, verify all dimensions including rough openings, if any discrepancies are found, notify the Jensen Engineer immediately.
5. The Jensen Engineer will interpret the intent of the drawings in case of possible conflict or discrepancy.
6. Permissible Variations: Dimensional Tolerances – The length, width, height, or dia. measurements of the structure when measured on the inside surfaces shall not deviate from design dimensions by more than the following:  
Tolerance: 1/4" (0 to 5 Feet)  
3/8" (5 to 10 Feet)  
1/2" (10 to 20 Feet)  
Squaresness Tolerance: between the supplier and purchaser.  
he inside of the precast concrete component shall be square as determined by diagonal measurements. The difference between such measurements shall not exceed the following:  
Measured Length: Allowable Difference 0 to 10 Feet 1/2"  
10 to 20 Feet 3/4"  
20 Feet and over as agreed upon between the supplier and purchaser.
- 7.



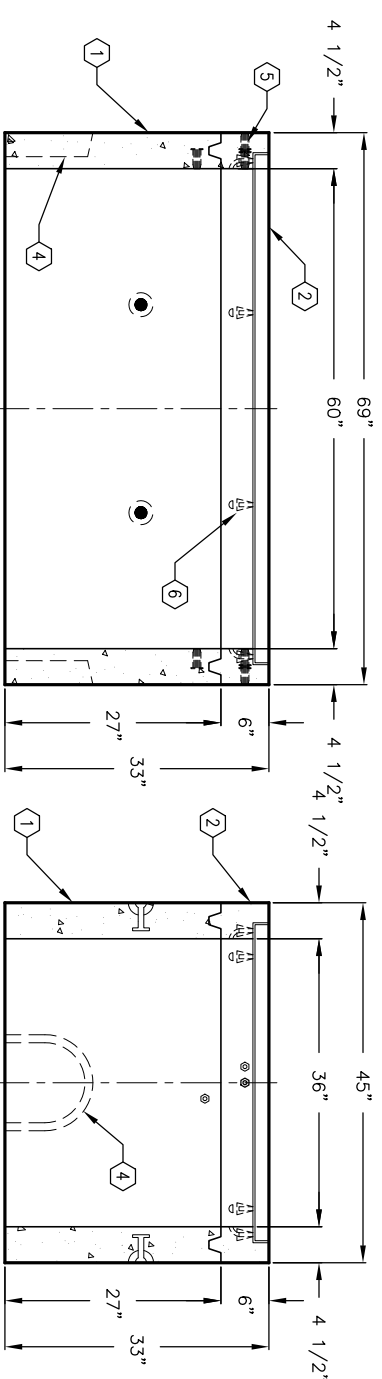
**SECTION A-A**



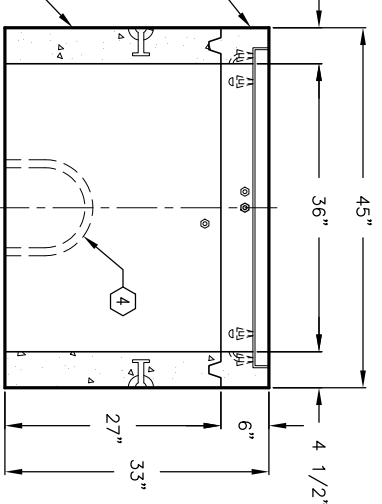
**SECTION B-B**



**PLAN VIEW**



**SECTION C-C**



**SECTION D-D**

MINIMUM EXCAVATION SIZE:  
4'-9" x 6'-9" x DEPTH REQ'D.



AUTOCAD REL. 14

**K3660-FH33-08T**

03-01-02



#	DATE	DESCRIPTION	BY

**K3660-FH33-08T**

03-01-02