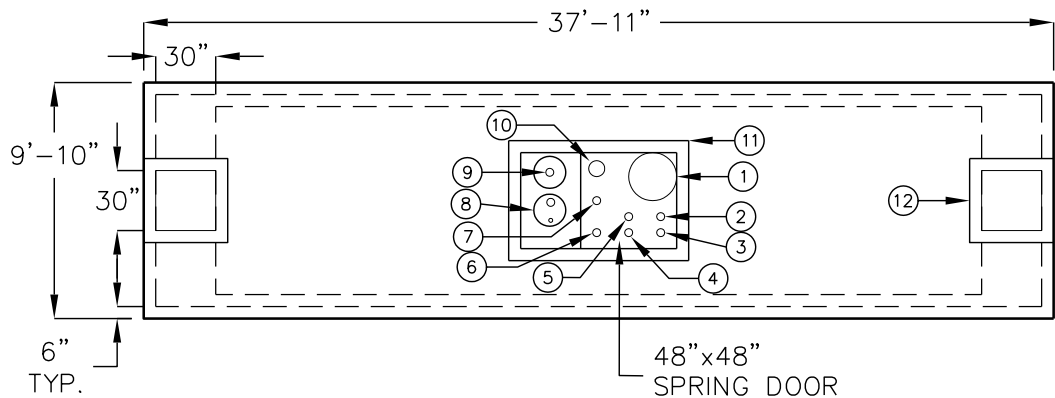
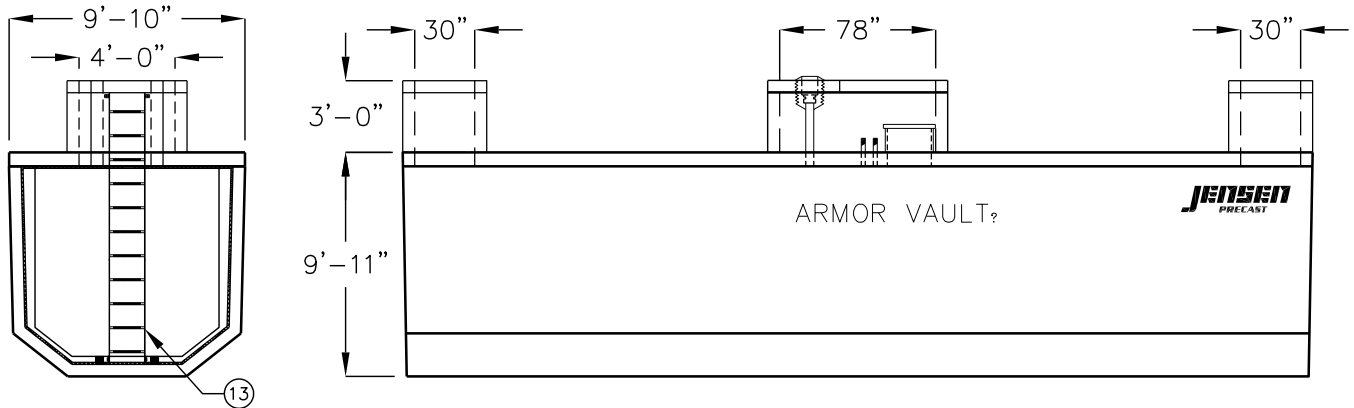


ARMOR VAULT.

UST 14,000 14,000 GALLON UNDER GROUND STORAGE TANK



1. MINIMUM CONCRETE STRENGTH: $f'_c = 4,000$ PSI.

2. BAR ENFORCEMENT SHALL CONFORM TO ASTM A615, GRADE 60. WELDED WIRE FABRIC SHALL CONFORM TO ASTM A185 AND GRADE 65.

3. EXTERIOR IS COATED WITH BITUMINOUS COATING TO PREVENT WATER INTRUSION. INTERIOR IS COATED WITH FUEL RESISTANT 2-PART EPOXY COATING.

4. STEEL TANK IS UL 142 LISTED.

5. THE ARMOR VAULT SYSTEM IS UL 2245 LISTED FOR SECONDARY CONTAINMENT; FIRE RATED AND FIRE PROTECTED.

6. ALL PIPE NIPPLES ARE SCHEDULE 40, NPT.

7. CONCRETE VAULT MEETS H-20 LOAD.

FOR COMPLETE DESIGN
AND PRODUCT INFORMATION
CONTACT JENSEN PRECAST.

U.S.A. AND FOREIGN PATENTS PENDING

NO.	DESCRIPTION
1	24" MANWAY
2	2" VENT
3	2" MONITOR
4	4" SPARE
5	2" VAPOR II RETURN
6	4" SPARE
7	4" PUMP
8	4" VAPOR I & 2" STICK PORT
9	4" FILL PORT
10	8" EMERGENCY VENT
11	48" x 78" TURRET
12	30" x 30" MANWAY TO VAULT (1 EA. END)
13	ALUMINUM LADDER W/ LADDER UP