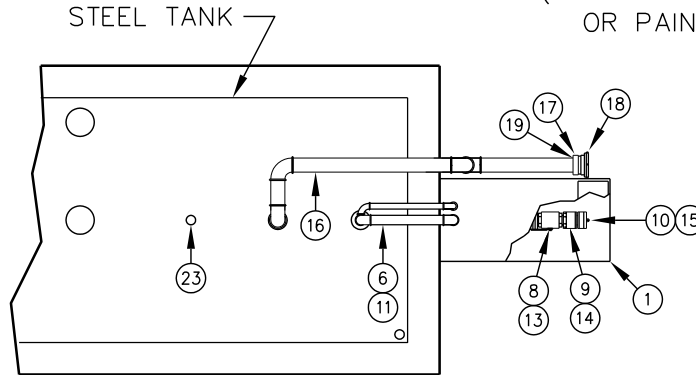


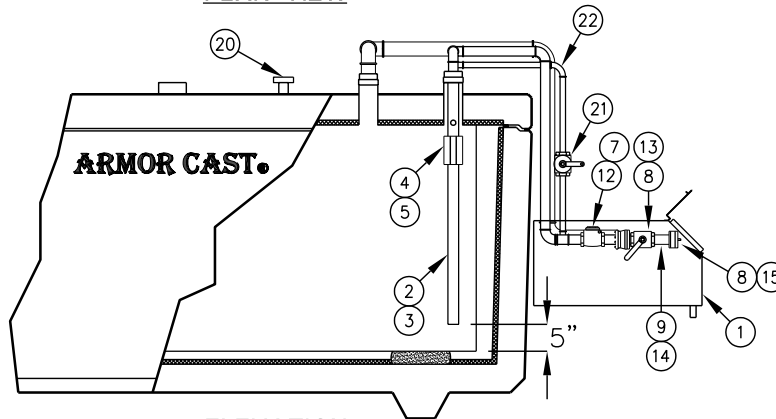
AST FILLPACK NO. 5

PREMIUM SIDE MOUNT FILL / SPILL CONTAINMENT

(AVAILABLE IN STAINLESS
OR PAINTED STEEL)



PLAN VIEW



ELEVATION

(CUTAWAY)

PACKAGE NO.
FKFILL-D2-R-A
FKFILL-D3-R-A
FKFILL-G2-R-A
FKFILL-G3-R-A

1. SIDE MOUNT FILL – REGULAR SPEED.
2. SIDE MOUNT FILL – HIGH SPEED.
3. SIDE MOUNT FILL – REGULAR SPEED WITH STAGE-I VAPOR RECOVERY CONNECTION.
4. SIDE MOUNT FILL – HIGH SPEED WITH STAGE-I VAPOR RECOVERY CONNECTION.
5. GAUGE STICK WITH CONVERSION CHART.

FOR COMPLETE DESIGN
AND PRODUCT INFORMATION,
CONTACT JENSEN PRECAST.

NO.	DESCRIPTION				
1	SIDEMOUNT SPILL CONTAINER W/FLEXIBLE BOOT CONNECTION	•	•	•	•
2	2" DIA. DROP TUBE WITH 1/8" (MIN.) HOLE @ TOP	•		•	
3	3" DIA. DROP TUBE WITH 1/8" (MIN.) HOLE @ TOP		•		•
4	2" AST OVERFILL PREVENTION VALVE	•		•	
5	3" AST HIGH SPEED OVERFILL PREVENTION VALVE		•		•
6	2" DIA. SUPPLY PIPING (SCH. 40, GALVANIZED)	•		•	
7	2" DIA. SWING CHECK VALVE	•		•	
8	2" DIA. BALL VALVE	•		•	
9	2" DIA. ALUMINUM QUICK CONNECT ADAPTER	•		•	
10	2" DIA. ALUMINUM DUST CAP	•		•	
11	3" DIA. SUPPLY PIPING (SCH. 40, GALVANIZED)		•		•
12	3" DIA. SWING CHECK VALVE		•		•
13	3" DIA. BALL VALVE		•		•
14	3" DIA. ALUMINUM QUICK CONNECT ADAPTER		•		•
15	3" DIA. ALUMINUM DUST CAP		•		•
16	2" DIA. VAPOR RECOVERY PIPING (SCH. 40, GALVANIZED)			•	•
17	VAPOR RECOVERY ADAPTER (3" ADAPTER x 3" NPT)			•	•
18	3" DIA. VAPOR RECOVERY CAP (ORANGE)			•	•
19	2x3 REDUCER BUSHING	•	•	•	•
20	MORRISON CLOCK GAUGE	•	•	•	•
21	HAND PUMP AND PIPING	•	•	•	•
22	3/4" OR 1" PIPING	•	•	•	•
23	2" STICK PORT	•	•	•	•