

## 2'-6" x 4'-0" ANAHEIM FLAT WALL PULL BOX x 36" DEEP

### NOTES:

- CONCRETE DESIGNED IN ACCORDANCE WITH AASHTO H-20-44 TRAFFIC BRIDGE LOADING USING 5,500 COMPRESSIVE STRENGTH CONCRETE AND 60,000 PSI YIELD STRENGTH ASTM A-706 STEEL REINFORCEMENT.
- COVER DESIGNED FOR PARKWAY LOADING 300 PSF. OR TRAFFIC LOADING H-20.
- PULL BOX TO BE PLACED ON A MIN. 6" BASE OF CRUSHER RUN FOR EASE OF INSTALLATION AND EVEN LOAD DISTRIBUTION.

### ORDERING INFORMATION:

PER CITY OF ANAHEIM SPECS. CU1600-3B.  
TOTAL WEIGHT FOR ASSEMBLY AS SHOWN 2,584 Lbs.

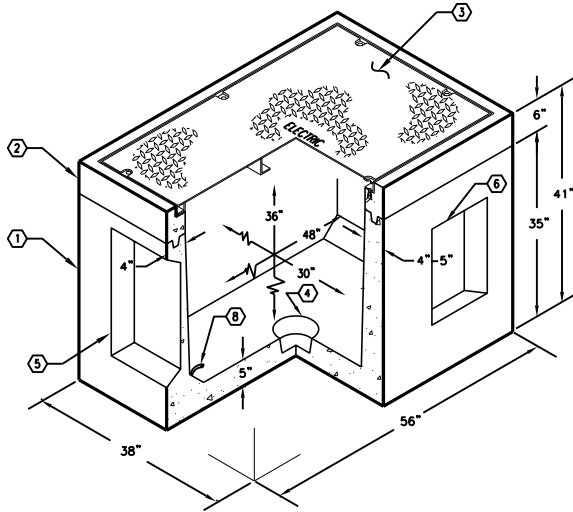
**PARKWAY ASSEMBLY WITH STEEL B/D COVER K3048-FP36-16P,**

**LIGHT TRAFFIC ASSEMBLY WITH STEEL B/D COVER K3048-FP36-16T,**

1. PB3048F-B30-05, 30" BOTTOM SECTION WT. 2,125 lbs.
2. PB3048-T6F TOP SECTION, W/(F3048-PB-ANG) GALV. ANGLE FRAME CAST-IN, WT. 331 Lbs.
- 3A. SC3048-PGVE, ONE PIECE PARKWAY COVER GALV., MARKED "ELECTRIC".
- 3B. SC3048-TGVE, ONE PIECE TRAFFIC COVER GALV., MARKED "ELECTRIC".
4. 6" x 7" DIA. SUMP x 4" DEEP, BOTTOM SECTION (1).
5. 20" x 20" KNOCKOUT x 3" DEEP, BOTTOM SECTION (92).
6. 8" x 16" KNOCKOUT x 3" DEEP, BOTTOM SECTION (4).
7. 1" DIA. BLIND THRU GROUND ROD HOLE, BOTTOM SECTION (2) CORE.
8. 7/8" DIA. PULL IRON, BOTTOM SECTION (2).
9. 1/2" P35-T OB W/CLEAN OUT HOLE, TOP SECTION (6) FRAME MTD.
10. + 1/2" PLASTIC INSERT, BOTTOM SECTION (4).

### GENERAL NOTES:

1. Minimum soil bearing capacity is hereby assumed to be 2000 PSF unless otherwise documented by a geotechnical report that shall be provided to Jensen Precast by the end user. Jensen Precast shall not be held responsible for the soil bearing capacity.
2. Installation of Manholes, Vaults, Handholes, Meter Boxes etc. will be as per Jensen installation procedures.
3. Structural modification to the Jensen line of products is not permitted without prior written approval from Jensen Engineering Department.
4. Do not scale the drawings, verify all dimensions including rough openings, if any discrepancies are found, notify the Jensen Engineer immediately.
5. The Jensen Engineer will interpret the intent of the drawings in case of possible conflict or discrepancy.
6. Permissible Variations:  
Dimensional Tolerances - The length, width, height, or dia. measurements of the structure when measured on the inside surfaces shall not deviate from design dimensions by more than the following:  
Dimensions: Tolerance:  
0 to 5 Feet 1/4"  
5 to 10 Feet 3/8"  
10 to 20 Feet as agreed upon between the supplier and purchaser.
7. Squareness Tolerance:  
The inside of the precast concrete component shall be square as determined by diagonal measurements. The difference between such measurements shall not exceed the following:  
Measured Length: Allowable Difference  
0 to 10 Feet 1/2"  
10 to 20 Feet 3/4"  
20 Feet and over as agreed upon between the supplier and purchaser.



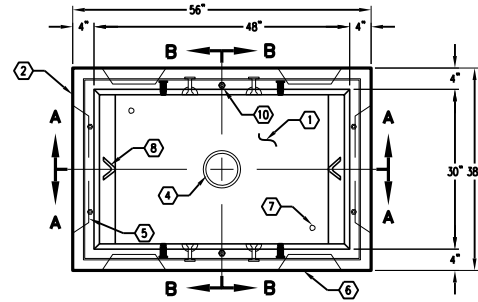
MINIMUM EXCAVATION SIZE:  
3'-8" x 5'-2" x DEPTH REQD.

K3048-FP36-16

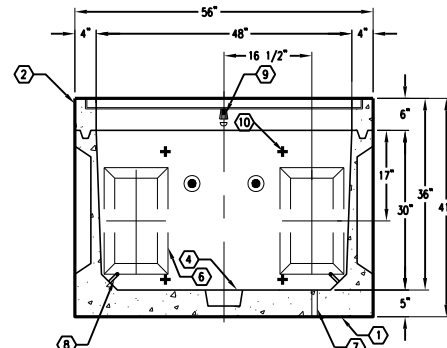
PER ANAHEIM SPEC. 1600-3B 03-01-02

**JENSEN**  
PRECAST

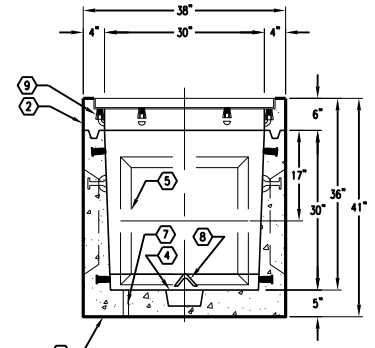
AUTOCAD REL. 14



PLAN VIEW



SECTION A-A



SECTION B-B

**JENSEN**  
PRECAST

#	DATE	DESCRIPTION	BY

K3048-FP36-16

PER ANAHEIM SPEC. 1600-3B 03-01-02