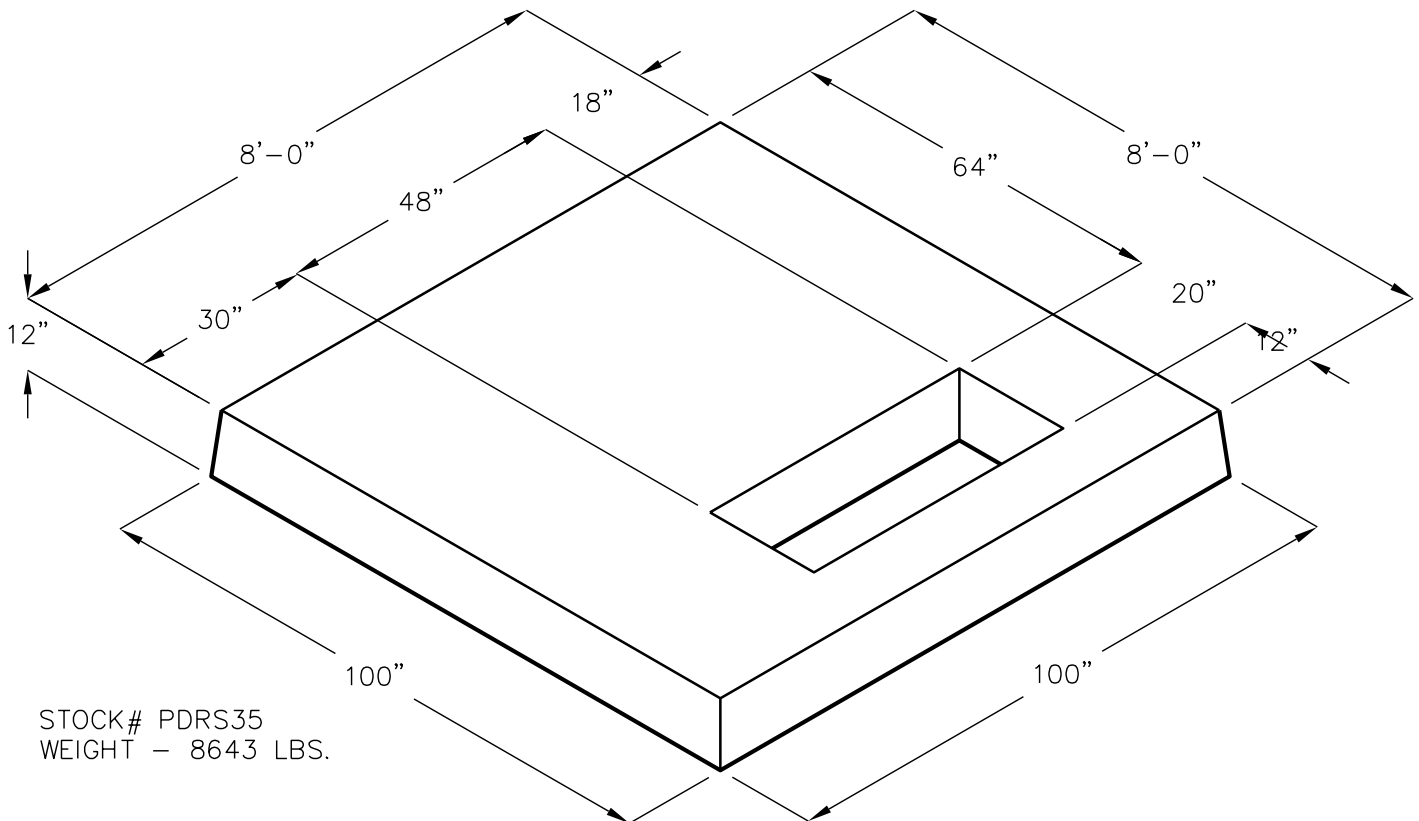
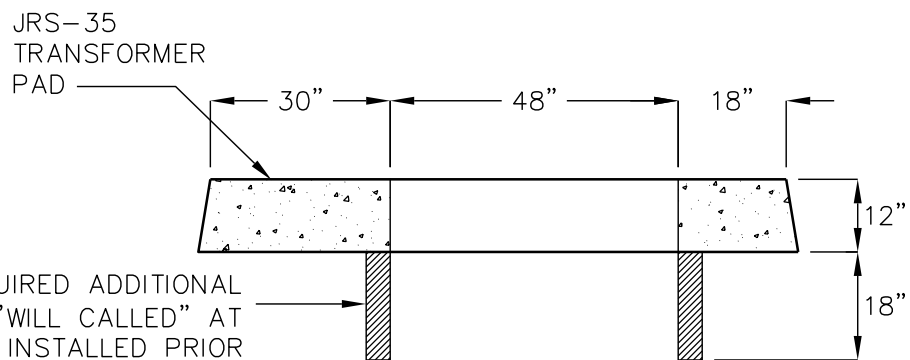


TRANSFORMER PAD MODEL JRS-40

MEETS
NEVADA POWER
RS-40 SPECS.



STOCK # PDRS35
WEIGHT - 8643 LBS.



HANDHOLE IS A REQUIRED ADDITIONAL
ITEM AND MUST BE "WILL CALLED" AT
JENSEN PRECAST AND INSTALLED PRIOR
TO ORDERING PAD. STOCK # RS304818
WEIGHT- 1198 LBS.

SECTION VIEW

FOR COMPLETE DESIGN
AND PRODUCT INFORMATION,
CONTACT JENSEN PRECAST.