

84" x 84" RIVERSIDE TRANSFORMER PAD x 8" THICK

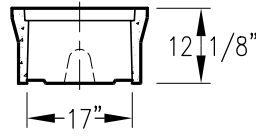
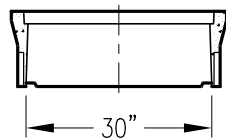
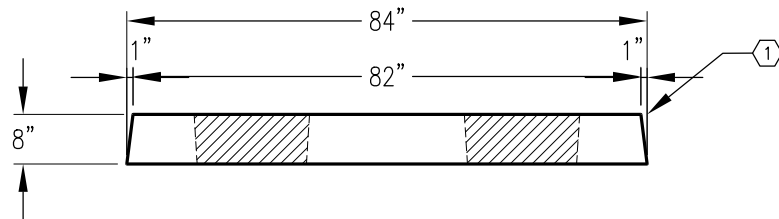
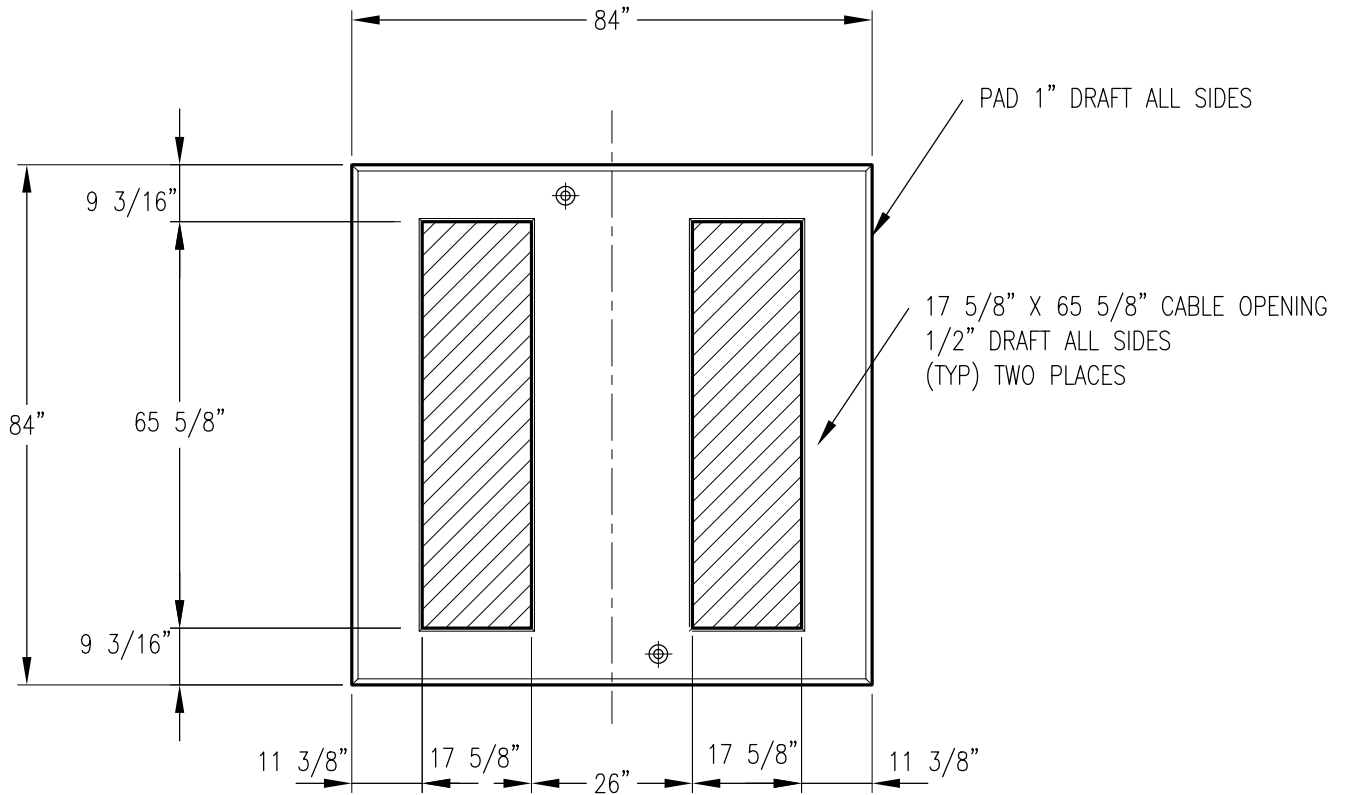
NOTES:

DESIGNED IN ACCORDANCE WITH AASHTO H-20-44 BRIDGE LOADING USING 5,500 PSI [37.92MPa] COMPRESSIVE STRENGTH CONCRETE AND 60,000 PSI [413.2MPa] YIELD STRENGTH GRADE 60 A-706 REINFORCEMENT.

1. PD8484-T8-21, 8" TRANSFORMER PAD. WT. 3,325 Lbs.

ORDERING INFORMATION:

PD8484-T8-21 FOR ASSEMBLY AS SHOWN.
PER CITY OF RIVERSIDE UGS-650
TOTAL WEIGHT OF ASSEMBLY IS 3,325 Lbs.



PB66 BODY FOUR REQ'D



AUTOCAD REL. 14

#	DATE	DESCRIPTION	BY

PD8484-T8-21

PER CITY OF RIVERSIDE UGS-650

03-01-02