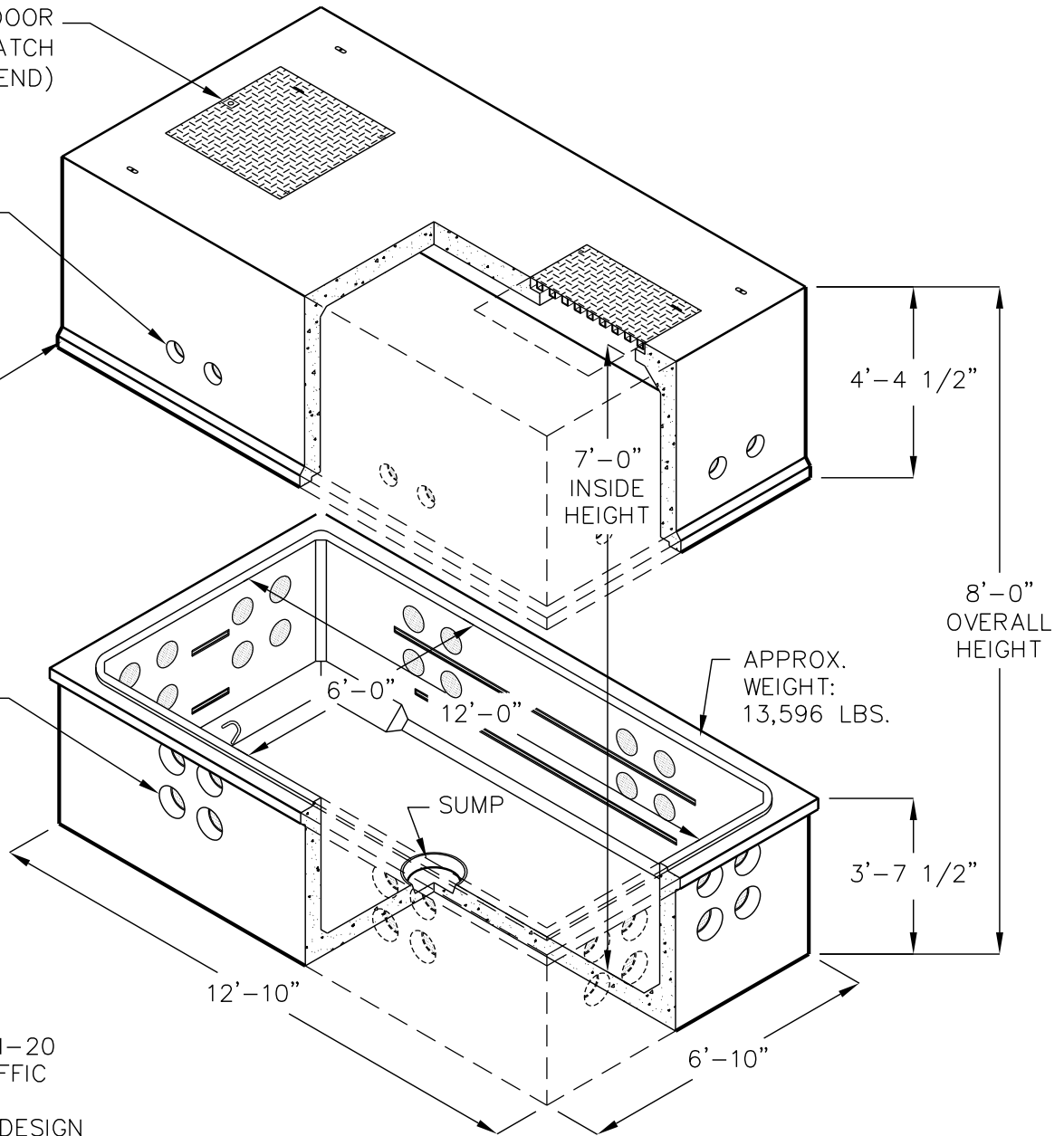


332 SPRING ASSISTED
GALVANIZED DIAMOND
PLATE DOOR
W/ LOCKING LATCH
(1 EA. END)

4.5Ø DUCT
TERMINATORS
(16 TYP.)

APPROX.
WEIGHT:
14,251 LBS.



4'-4 1/2"

7'-0"
INSIDE
HEIGHT

8'-0"
OVERALL
HEIGHT

APPROX.
WEIGHT:
13,596 LBS.

3'-7 1/2"

12'-10"

6'-10"

DESIGN LOAD: H-20
INCIDENTAL TRAFFIC

FOR COMPLETE DESIGN
AND PRODUCT INFORMATION
CONTACT JENSEN PRECAST.