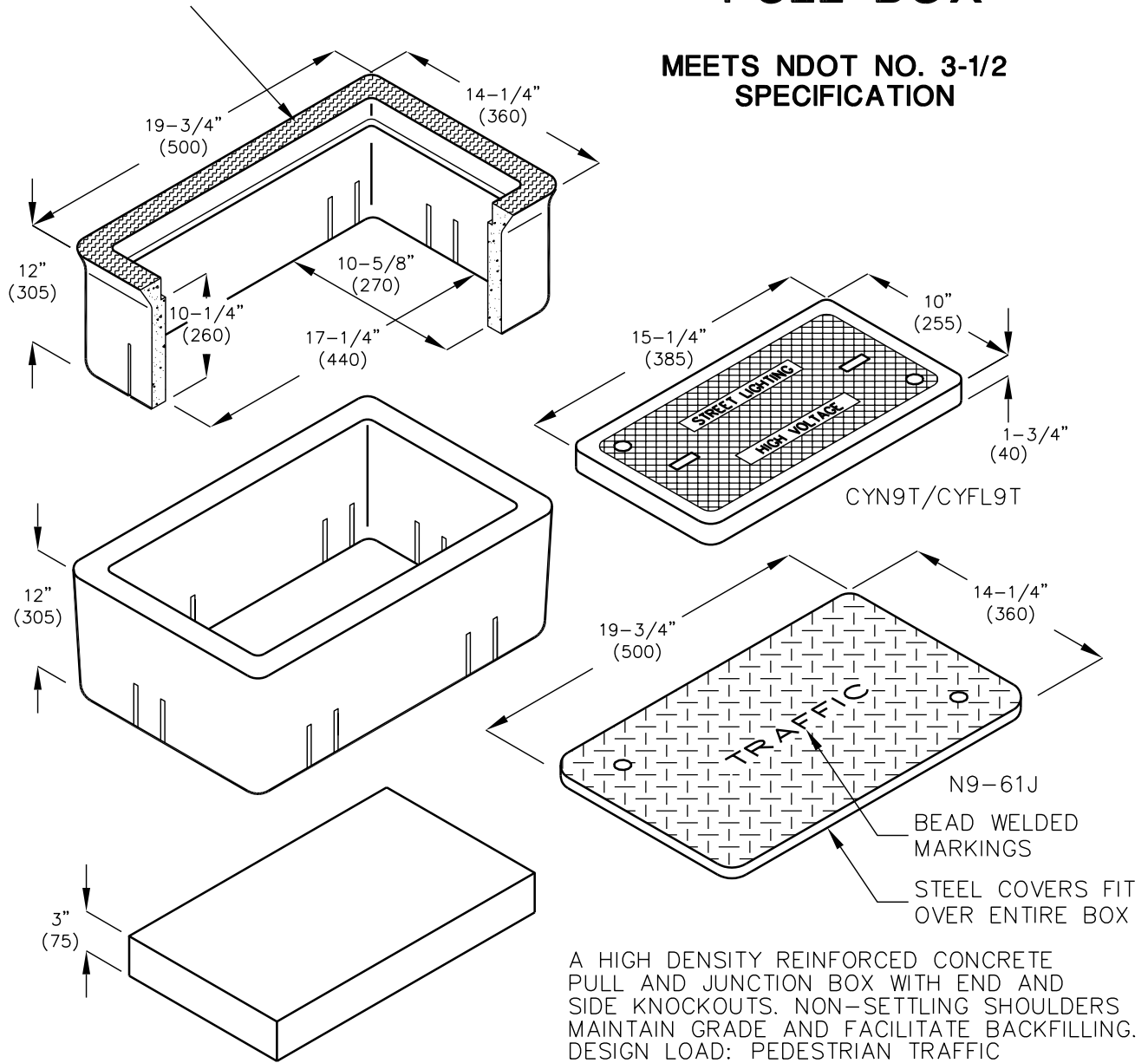


- ETCHED POLYETHYLENE FACE
- FACE ANCHORED IN CONCRETE
- ULTRAVIOLET INHIBITOR

NO. 3-1/2 ELECTRICAL PULL BOX

MEETS NDOT NO. 3-1/2 SPECIFICATION



A HIGH DENSITY REINFORCED CONCRETE PULL AND JUNCTION BOX WITH END AND SIDE KNOCKOUTS. NON-SETTLING SHOULDERS MAINTAIN GRADE AND FACILITATE BACKFILLING. DESIGN LOAD: PEDESTRIAN TRAFFIC

CATALOG NUMBER	PRODUCT	DESCRIPTION	APPROX. WT. (LBS.)
CYN9	BOX	REINFORCED CONCRETE	85
FL9T	LID	NONMETALLIC LID W/HOLD DOWN BOLTS	6
CYN9T	LID	REINFORCED CONCRETE W/HOLD DOWN BOLTS	21
CYN9-61J	COVER	STEEL CHECKER PLATE W/HOLD DOWN BOLTS	19
CYN9EX	EXTENSION	12" HIGH REINFORCED CONCRETE	82
CYN9SL	SLAB	REINFORCED CONCRETE	30

FOR COMPLETE DESIGN AND PRODUCT INFORMATION, CONTACT JENSEN PRECAST.

NOTE: METRIC DIMENSIONS ROUNDED TO NEAREST 5 MM.