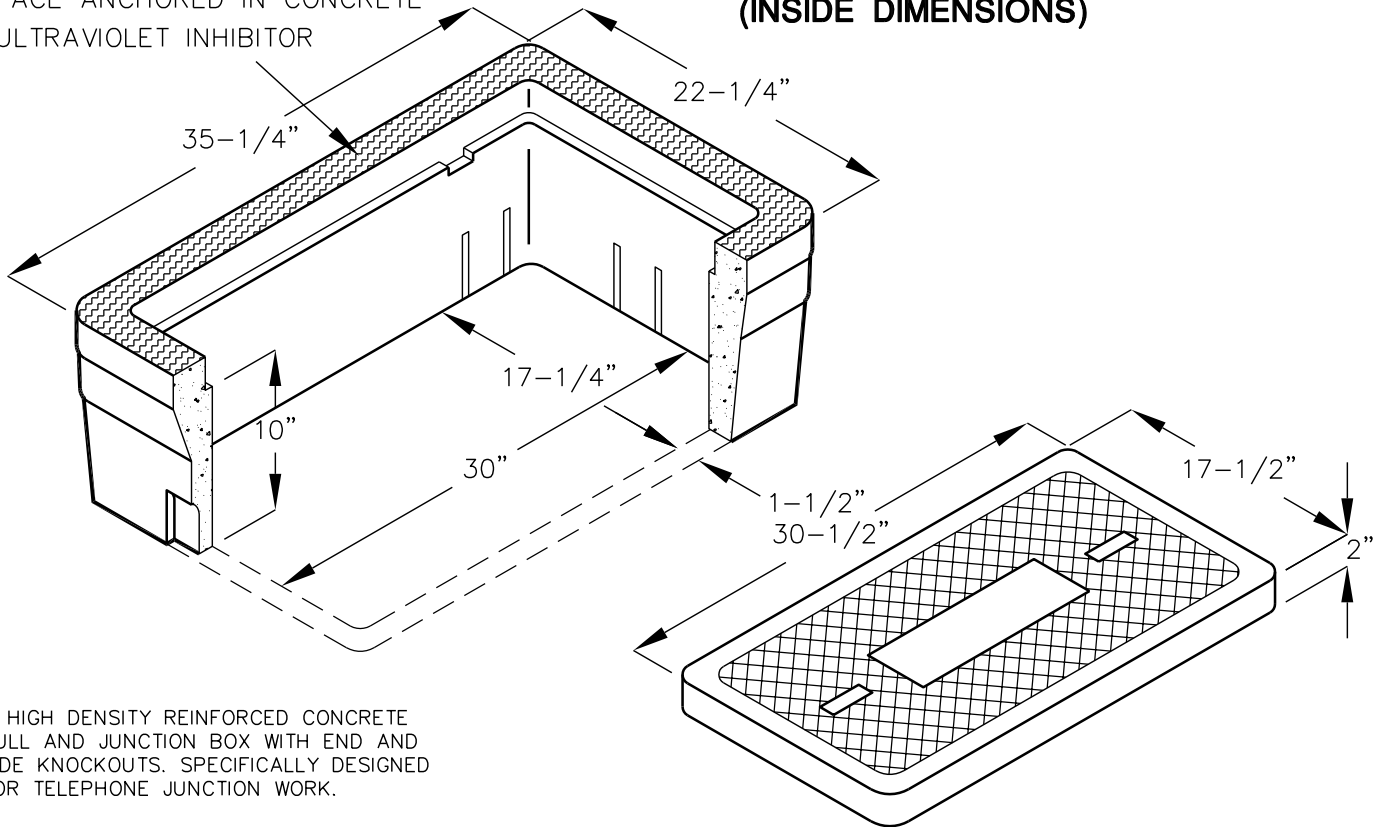


N36 ELECTRICAL HANDHOLE

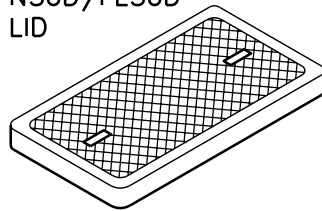
17-1/4" x 30" x 10"
(INSIDE DIMENSIONS)

- ETCHED POLYETHYLENE FACE
- FACE ANCHORED IN CONCRETE
- ULTRAVIOLET INHIBITOR

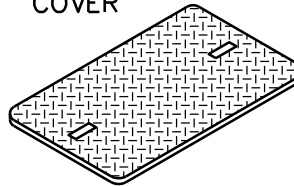


A HIGH DENSITY REINFORCED CONCRETE PULL AND JUNCTION BOX WITH END AND SIDE KNOCKOUTS. SPECIFICALLY DESIGNED FOR TELEPHONE JUNCTION WORK.

N36D/FL36D
LID



N36-61D
COVER



CATALOG NUMBER	PRODUCT	DESCRIPTION	APPROX. WT. (LBS.)
N36	BOX	REINFORCED CONCRETE	175
N36D	LID	REINFORCED CONCRETE	85
FL36D	LID	FIBRELYTE LID	32
N36-61D	COVER	STEEL CHECKER PLATE	59
N36X12	EXTENSION	12" HIGH REINFORCED CONCRETE	129
N36BA	BASE	6" HIGH REINFORCED CONCRETE	122
N36SL	SLAB	REINFORCED CONCRETE	112