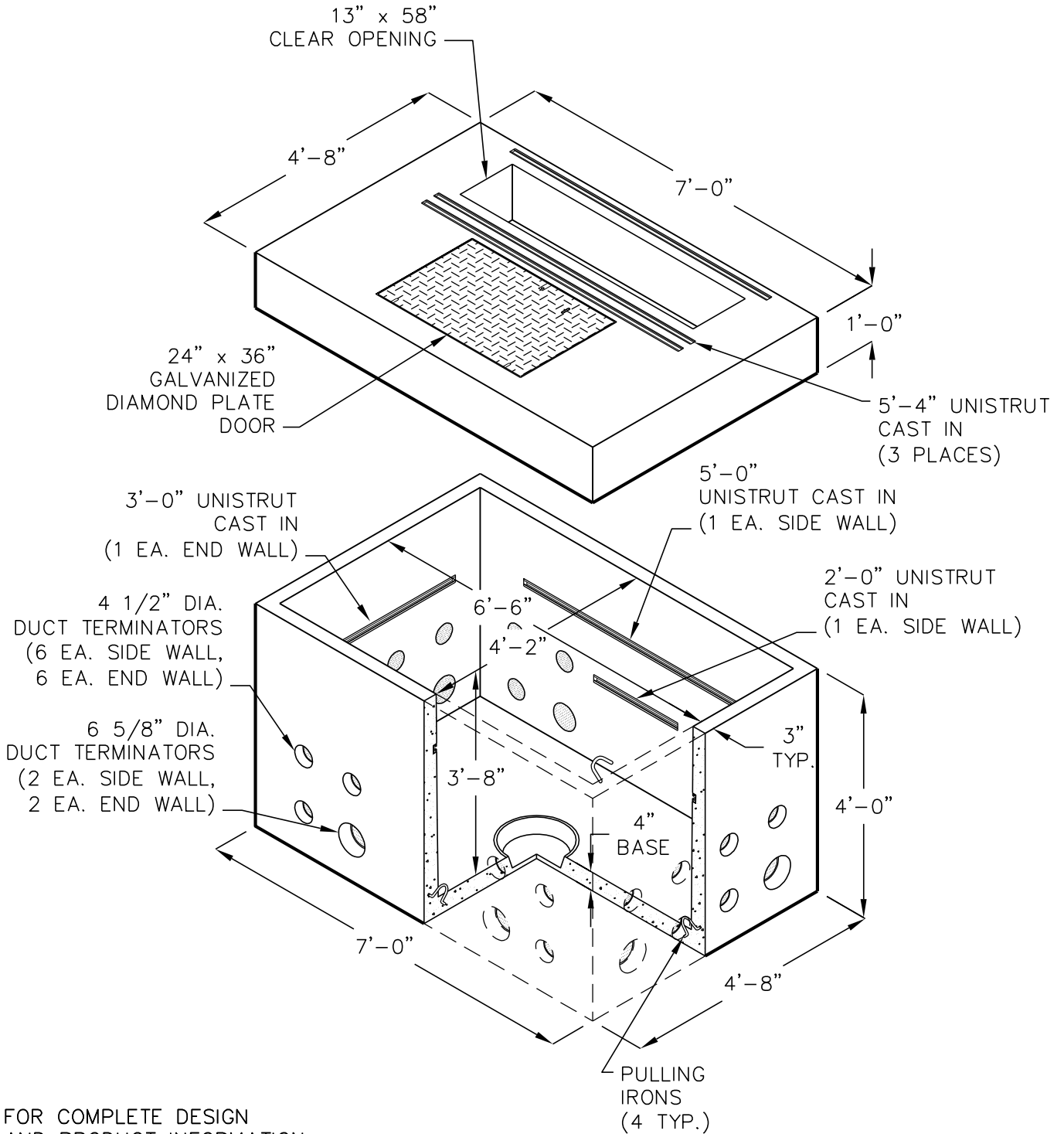


CEC 575 BASE W/5684 COVER SLAB

4'-2" X 6'-6" X 3'-8"
(INSIDE DIMENSIONS)

MEETS CEC SPECS.



FOR COMPLETE DESIGN
AND PRODUCT INFORMATION
CONTACT JENSEN PRECAST.