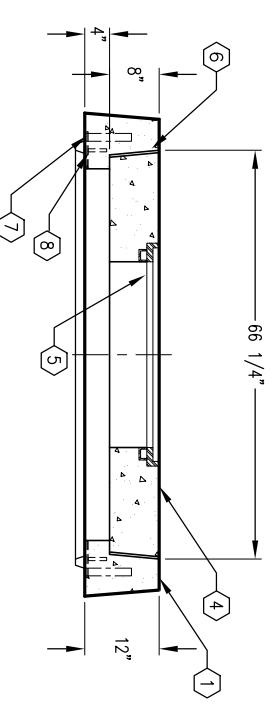
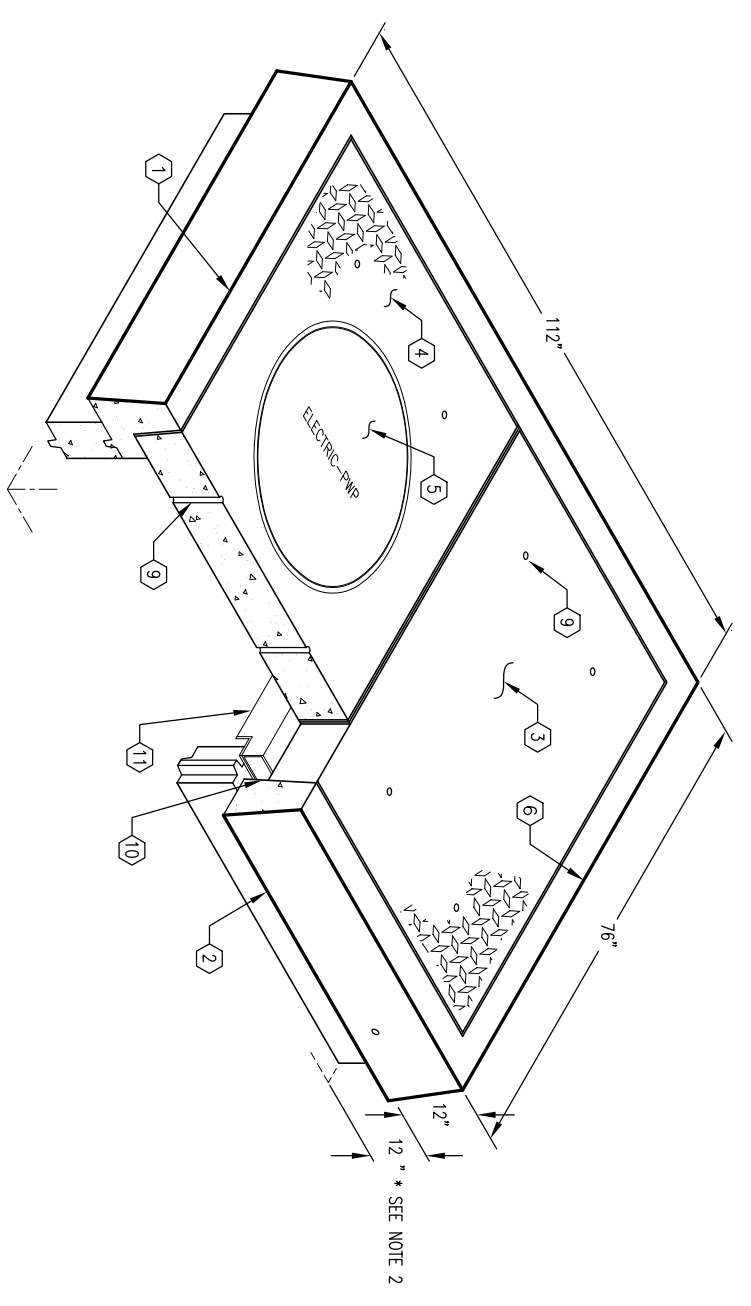


5'-0" x 8'-0" x 12" PASADENA VAULT NECK & COVER

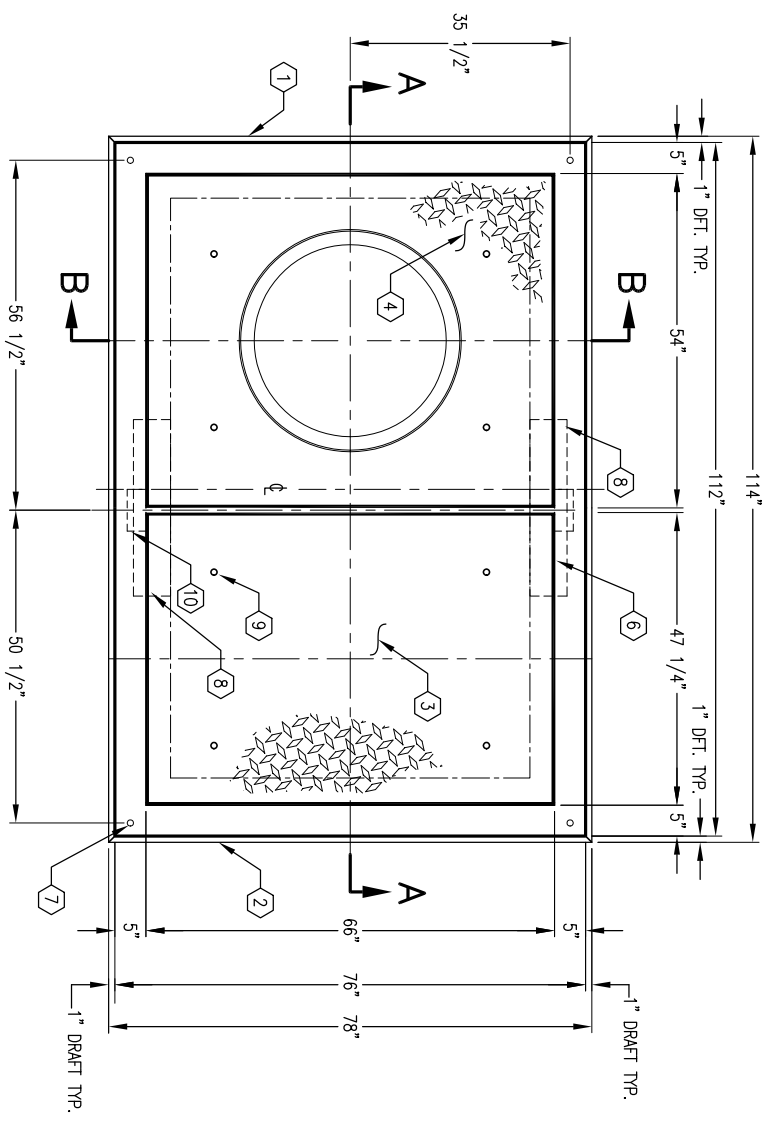
NOTES:

- DESIGNED IN ACCORDANCE WITH AASHTO H-20-44 TRAFFIC BRIDGE LOADING USING 5,500 PSI COMPRESSIVE STRENGTH CONCRETE AND 60,000 PSI YIELD STRENGTH ASTM A-706 STEEL REINFORCEMENT PER CALCS. #30353.
 - * EXTENSIONS ARE AVAILABLE IN THE FOLLOWING SIZES:
 a) VN58-R9, 6' x 8' x 12" (39552729) WT. 122#6#.
 b) VN58-R12, 8' x 8' x 12" (39552729) WT. 122#6#.
 - TOTAL WEIGHT OF ASSEMBLY AS SHOWN IS 6,694#.
- ORDERING INFORMATION:**
- K58-VN12-20 FOR ASSEMBLY AS SHOWN.

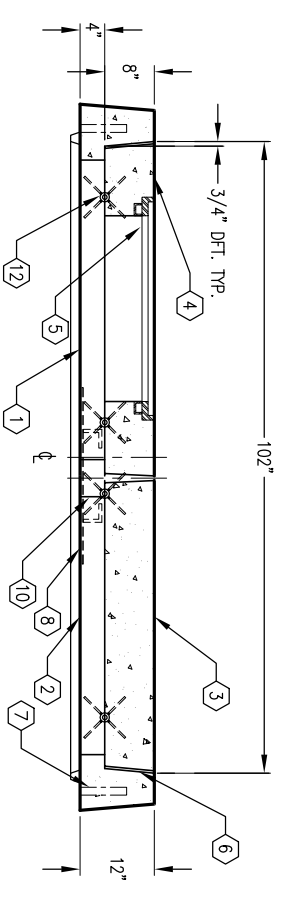
1. VN58-N12, 12" NECK SECTION, WT. 2,700#.
2. VN58-T8, 8" SOLID COVER, SURFACE TO BE DIAMOND PLATE IMPRINT, WT. 1,580#.
3. VN45-T8-056, 8" COVER W/CAST-IN A-1106 RING, 30" DIA. SURFACE TO BE DIAMOND PLATE IMPRINT, WT. 1,984#.
4. A-1106, 30" DIA. CAST IRON COVER MARKED "ELECTRIC PWP", WT. 290#.
5. 3/8" x 8" EXPANDED FELT.
6. 3/4" COIL THREADED ADJUSTING BOLT HOLE x 11" LONG. LOCATE AS FOLLOWS: VN58-N12 NECK SECTION (4) TONGUE FORMER MTD.
7. SP58-123 SUPPORT PLATE FOR BEAM (2).
8. 1" DIA. THRU HOLE. LOCATE AS FOLLOWS: VN58-T8 COVER SECTION (4) EACH TABLE MTD.
9. 4" x 3" BEAM RECESS x 3" DEEP. LOCATE AS FOLLOWS: TOP SECTION (2) EACH CORE MTD.
10. 6" x 3" W" BEAM (358-123), (1) REQ'D. WT. 145#.
11. 1" GALV. COIL THREAD INSERT FOR MONOLITHIC HANDLING. LOCATE AS FOLLOWS: TOP SECTION (4) EACH SHELL MTD.
- 12.



SECTION B-B



PLAN VIEW



SECTION A-A



AUTOCAD REL. 14

K58-VN12-20
 PER CITY OF PASADENA SPEC. 03-01-02



#	DATE	DESCRIPTION	BY

K58-VN12-20
 PER CITY OF PASADENA SPEC. 03-01-02