

# 4'-0" x 5'-0" PASADENA TRAFFIC VAULT NECK WITH CONCRETE COVER

**NOTES:**

□ DESIGNED IN ACCORDANCE WITH AASHTO H-20-44 TRAFFIC LOADING USING 5,500 P.S.I. COMPRESSIVE STRENGTH CONCRETE AND 60,000 P.S.I. YIELD STRENGTH GRADE 60 A-706 STEEL REINFORCEMENT PER CALCS. # 31635.

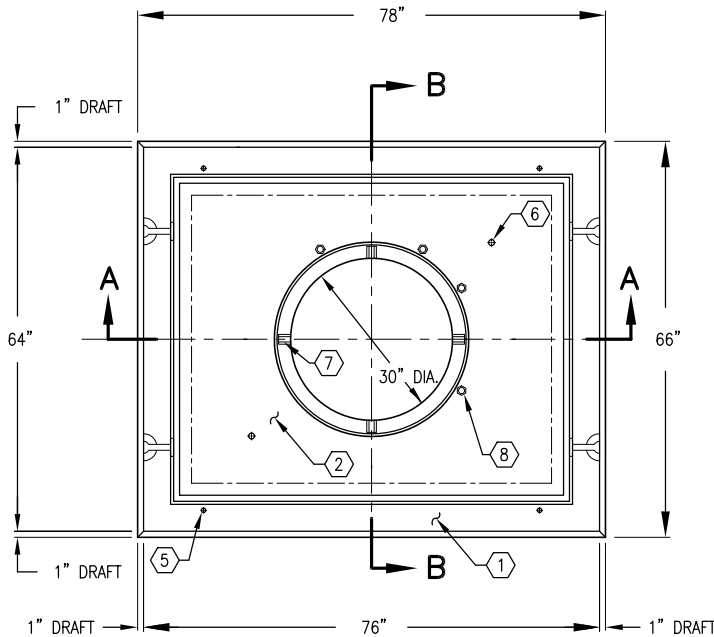
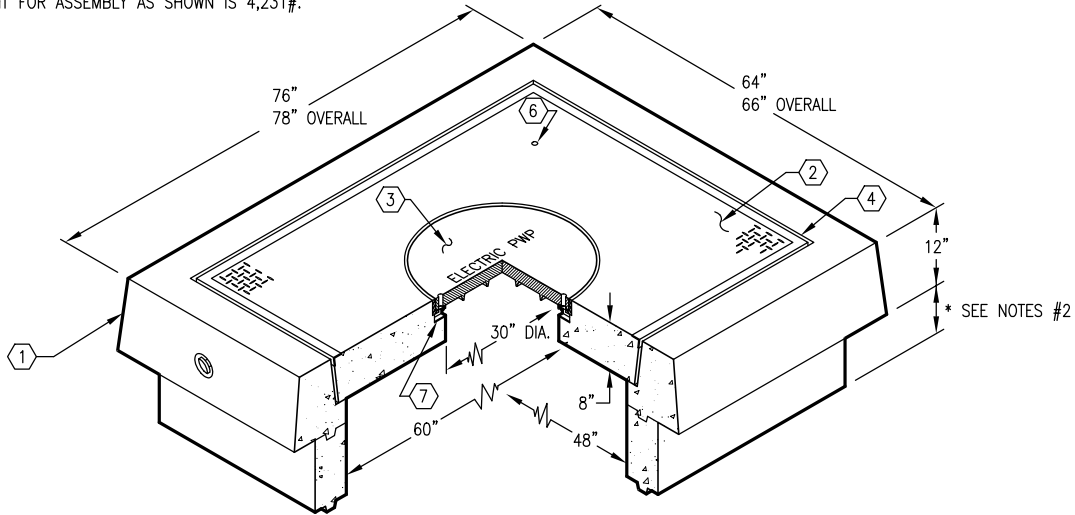
□ \*EXTENSIONS ARE AVAILABLE IN THE FOLLOWING SIZES:

- A) VN45-R6, 6" EXTENSION SECTION. WT. 877#.
- B) VN45-R9, 9" EXTENSION SECTION. WT. 1,316#.
- C) VN45-R12, 12" EXTENSION SECTION. WT. 1,755#.

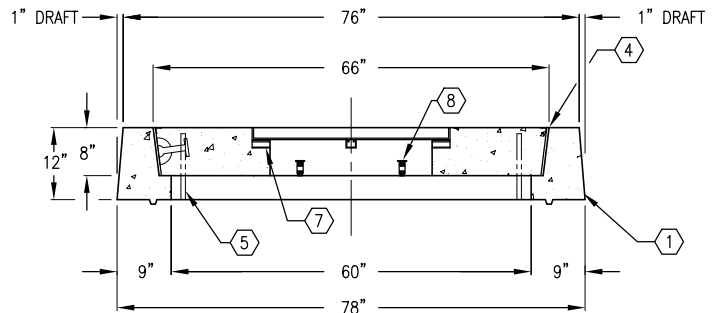
**ORDERING INFORMATION:**

K45-VN12-20 FOR ASSEMBLY AS SHOWN.  
TOTAL WEIGHT FOR ASSEMBLY AS SHOWN IS 4,231#.

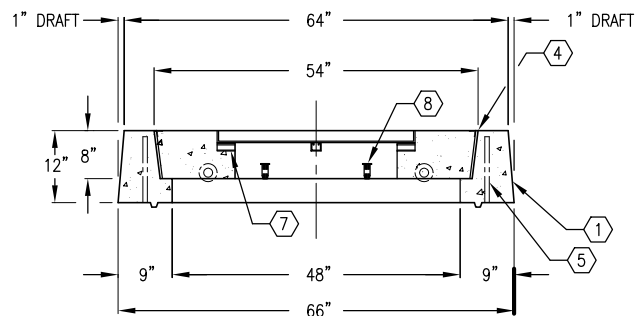
1. VN45-N12-05, 12" NECK SECTION. WT. 1,949#.
2. VN45-T8-056, 8" COVER SECTION W/CAST-IN A-1106 30" DIA. FRAME, SURFACE TO BE DIAMOND PLATE IMPRINT. WT. 2,077#.
3. A-1106 30" DIAMETER ALHAMBRA FOUNDRY COVER MARKED "ELECTRIC PWP". WT. 205#.
4. 3/8" x 8" EXPANDED FELT.
5. 3/4" COIL THREADED ADJUSTING BOLT HOLE x 11" LONG. LOCATE AS FOLLOWS: NECK SECTION (4) TONGUE FORMER MTD.
6. 1" DIAMETER THRU HOLE. LOCATE AS FOLLOWS: COVER SECTION (2) TABLE MTD.
7. CLEAN OUT HOLES FOR BOLTS. (4)
8. 1/2" P-36-T INSERT. LOCATE AS FOLLOWS: COVER SECTION (4) CORE DECK MTD.



**PLAN VIEW**



**SECTION A-A**



**SECTION B-B**



AUTOCAD REL. 14

| # | DATE | DESCRIPTION | BY |
|---|------|-------------|----|
|   |      |             |    |
|   |      |             |    |

**K45-VN12-20**  
PER CITY OF PASADENA SPEC. 03-01-02