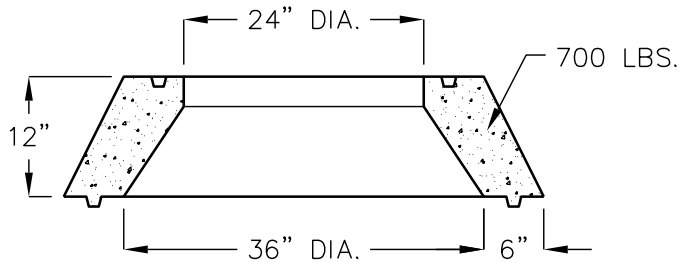
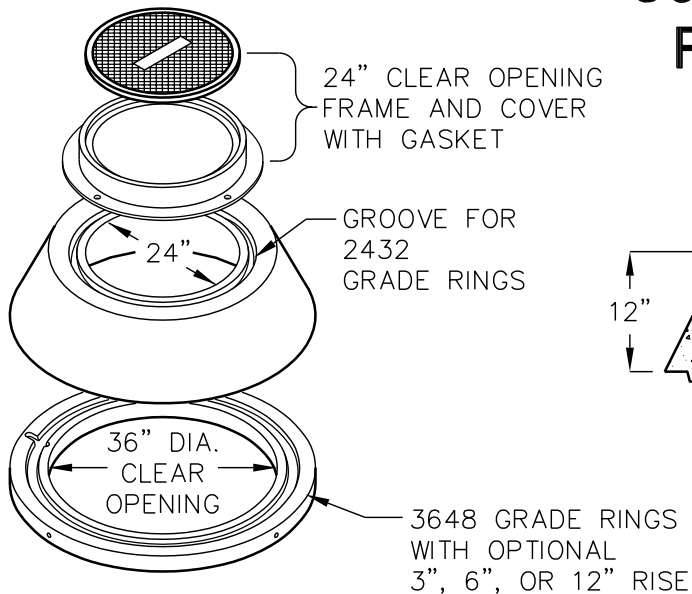
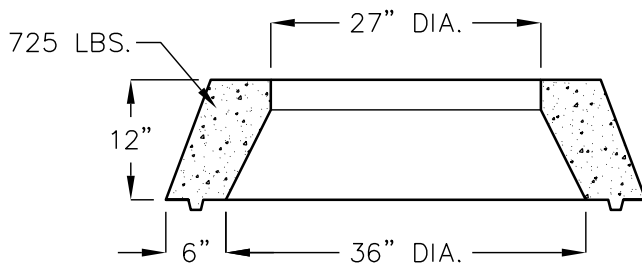


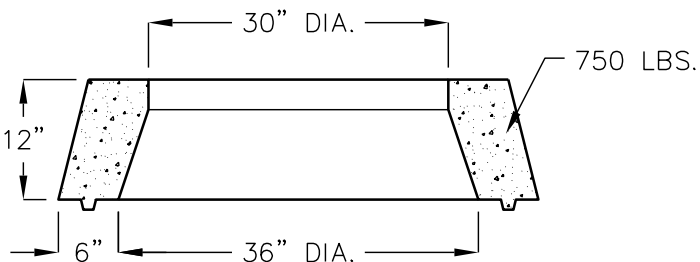
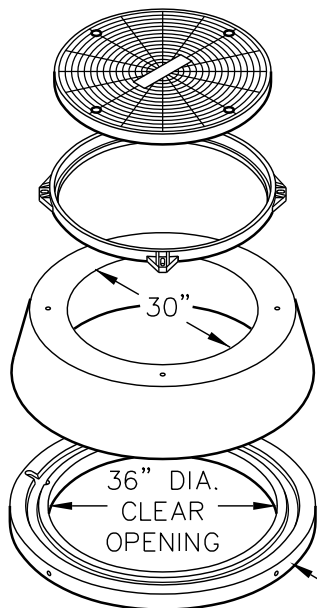
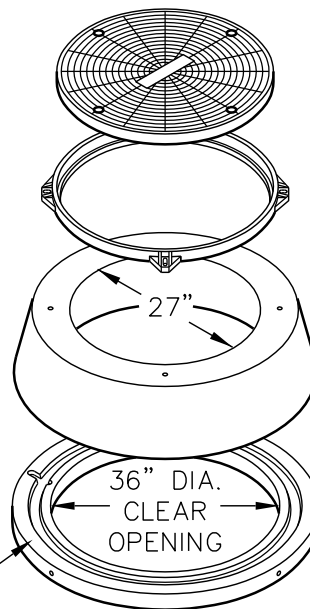
# 36" ACCESS OPENING REDUCER OPTIONS



**MODEL 3624-R12**



**MODEL 3627-R12**



**MODEL 3630-R12**

FOR COMPLETE DESIGN  
AND PRODUCT INFORMATION,  
CONTACT JENSEN PRECAST.