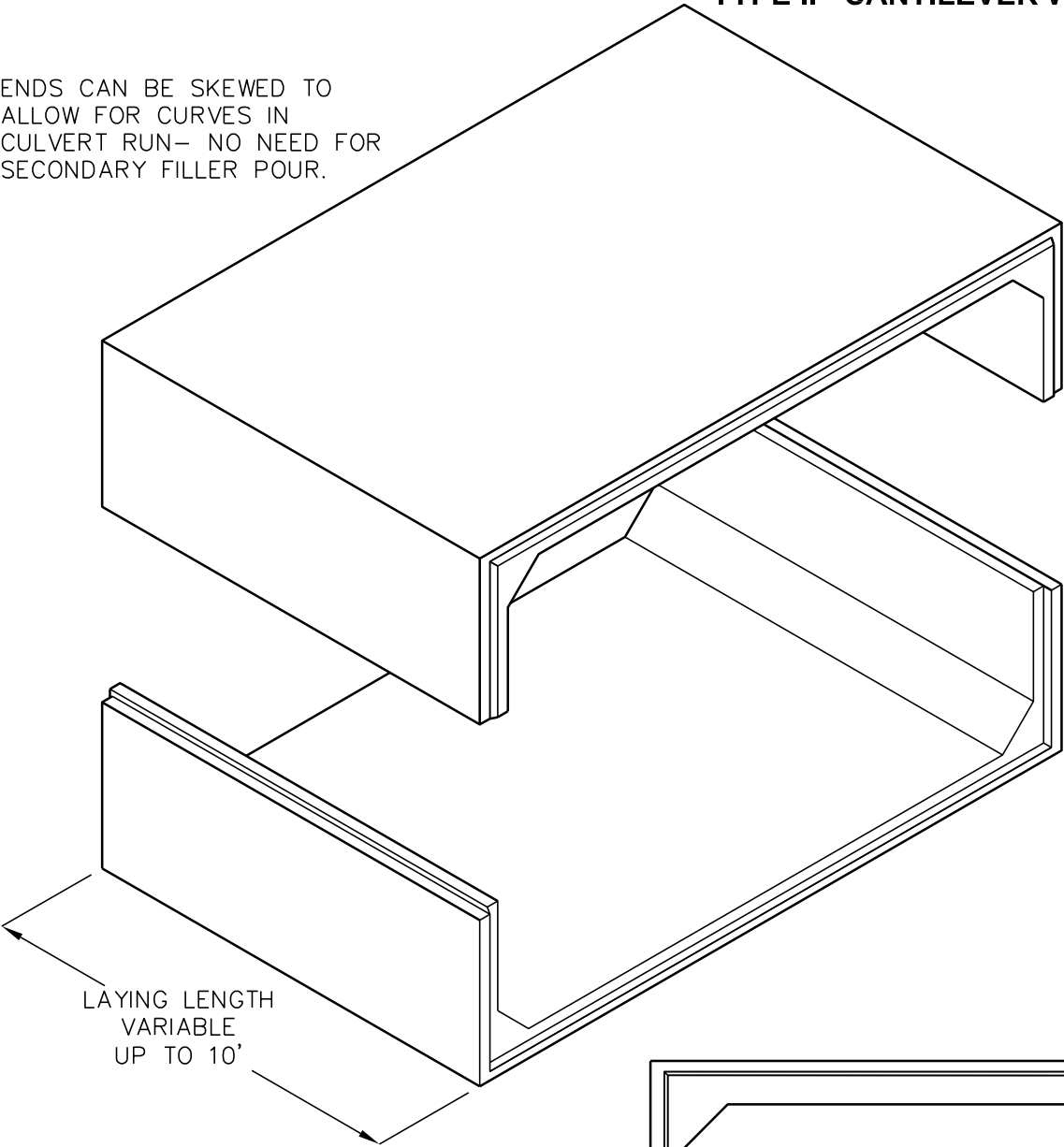


BOX CULVERT

14' TO 24' SPANS
TYPE II - CANTILEVER WALL DESIGN

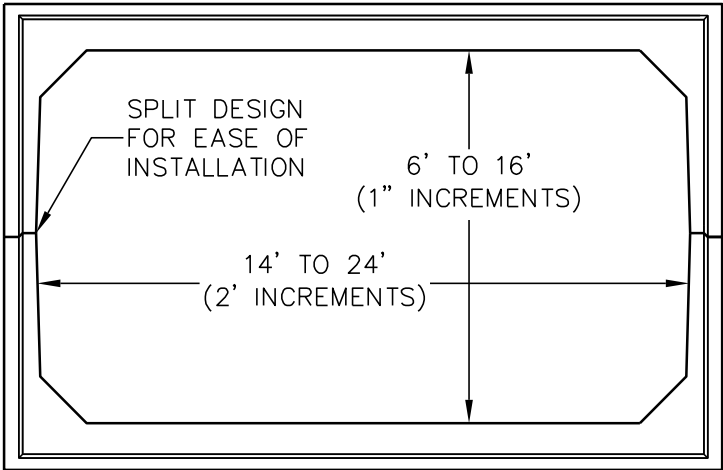
ENDS CAN BE SKEWED TO
ALLOW FOR CURVES IN
CULVERT RUN- NO NEED FOR
SECONDARY FILLER POUR.



STANDARD DESIGNS MEET AASHTO HS-20
TRAFFIC LOADS IN ACCORDANCE WITH ASTM
C1433, ACI 318 AND AASHTO SPECIFICATIONS.

DESIGNS BASED ON SPECIAL LOADINGS OR
DEPTHS OF BURY ARE AVAILABLE ON REQUEST.
CUSTOM COMPONENTS CAN BE ENGINEERED WITH
OPENINGS, DOWELS, AND SKEWS. CUSTOM
HEIGHTS AVAILABLE IN 1" INCREMENTS.

FOR COMPLETE DESIGN AND PRODUCT
INFORMATION CONTACT JENSEN PRECAST.



Jensen Precast reserves the right to make changes to product design
and/or dimensions without notice. Please contact Jensen Precast whenever
necessary for confirmation or advice on product design.

