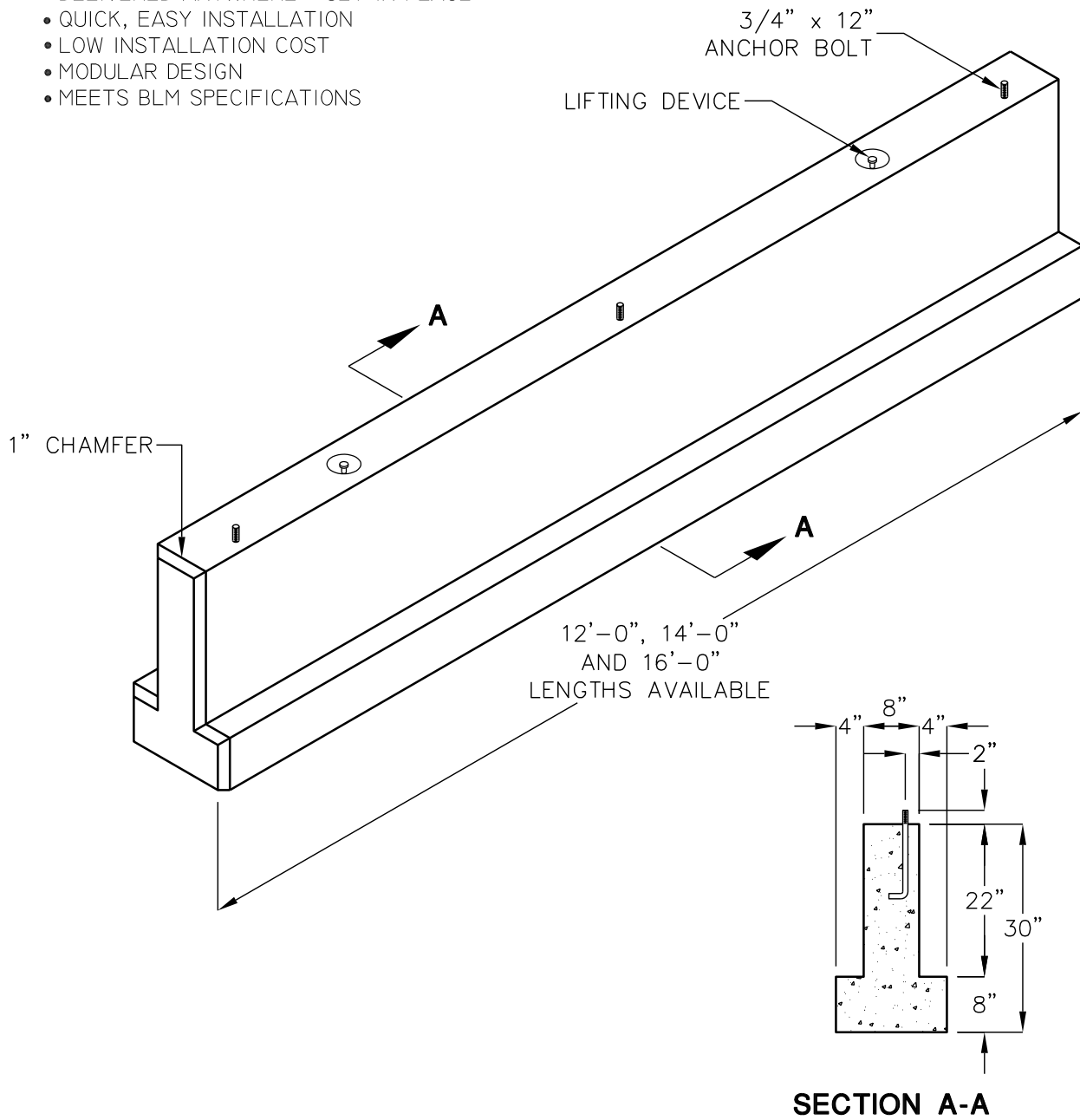


CATTLE GUARD

12'-0", 14'-0" AND 16'-0" LENGTHS
BUREAU OF LAND MANAGEMENT

- DURABLE, LONG LASTING
- DELIVERED ANYWHERE - SET IN PLACE
- QUICK, EASY INSTALLATION
- LOW INSTALLATION COST
- MODULAR DESIGN
- MEETS BLM SPECIFICATIONS



FOR COMPLETE DESIGN
AND PRODUCT INFORMATION
CONTACT JENSEN PRECAST.